

# vista

the newsletter from Climatec Windows

Now in our 24th  
Year of successfully  
supplying quality  
windows, doors and  
conservatories

Summer 2017

**In this issue: A+ and A++ Energy Ratings, New fabrication method for The R9 Collection, New Window and Door Handles, New Cill, New Cylinders... and more**

## NEW A+ & A++ Energy Ratings for Climatec's PVCu windows

Climatec are now able to offer energy ratings on our Rehau triple glazed casement windows. These have been certified by the BFRC and can now be ordered as an A+ energy rated product.

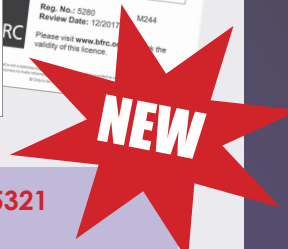
Our new flush sash windows have also been tested and certified with energy ratings from the BFRC. Our very first A++ label is given to the Deceuninck Flush sash window with triple glazing. An 'A' rated option is available for the double glazed version of this window.

Our new Residence 9 flush sash windows can be specified with either an A rating or an A+ rating dependent on the glazing options you choose.

If you buy your frames glazed from Climatec you will automatically get your certificates and labels for these new products as normal practice.

If you buy your frames from us unglazed and are registered as an Authorised Retailer of our products through the BFRC or FENSA, you can add our new licences to your account today. Simply email [enquiries@bfrc.co.uk](mailto:enquiries@bfrc.co.uk) with your Authorised Retailer number, quoting the energy rated licence numbers you require (see right).

All order forms have been revised with the new rating options available and can be downloaded from our website.



REHAU 'A+' RATED = LICENCE NO 5321

R9 'A' RATED = LICENCE NO 5280

R9 'A+' RATED = LICENCE NO 5380

DECEUNINCK 'A' RATED = LICENCE NO 5293

DECEUNINCK 'A++' RATED = LICENCE NO 5323

**Solidor®**

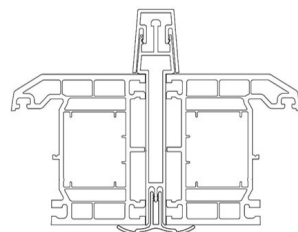
## NEW POWERBAR COUPLING SYSTEM

Solidor have recently introduced a new coupling system for their doors as part of their continual improvement programme.

The new Powerbar coupler is designed to work in conjunction with side panel and top light applications. Its reinforced construction enhances the structural properties of the door and improves the operational and security performance.

Please note that this Powerbar coupler will now be the default specification for all orders received with immediate effect.

**Power Bar**



The new brochures for Climatec's Period Door Collection have arrived from the printers and have been put in our showroom, sitting nicely alongside the doors on display that feature inside it.



The brochure can also be found on our website along with the full range of Climatec and supplier brochures.

T: 01702 613733 F: 01702 613367  
[www.climatec-windows.co.uk](http://www.climatec-windows.co.uk)

lu-tec **climatec**  
windows limited



# 19th Century Cill Detail

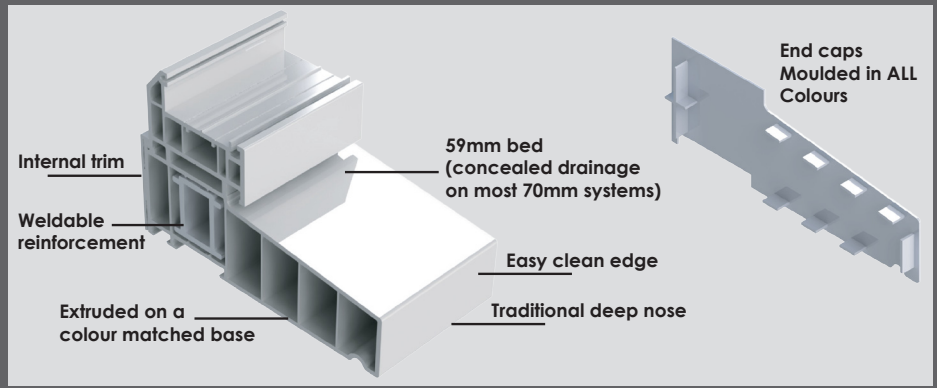


Climatec are now suppliers of the Radlington Cill, an authentic looking replica for the traditional timber stack cill. Available in 30mm and 55mm stack heights, this cill can be used with our Rehau, Calibre and Flush Sash windows.

An internal cill trim is also available, eliminating the need to stock dual colour cill profiles. Simply specify your customers choice of colour for the inside of their home.

These cills are available in White, Grey, Vintage Cream, Grained White, Cotswold Biscuit, Clotted Cream, Cotswold Green, Painswick, Coarse Lawn, Irish Oak, English Oak, Silvered Oak, No.10 Black, Eclectic Grey, Golden Oak and Rosewood.

This information can also be found on our website in the Technical section for you to download.



## THE ULTIMATE IN DOOR SECURITY

Customers are now able to purchase Climatec doors with the **Ultion 3\* Kite-marked cylinder**.

The Ultion cylinder meets the highest TS007 standard (3 star) without needing to be bolstered with support of cylinder protectors or extra secure door handles.

It has also achieved Sold Secure Diamond status, making it one of the most highly accredited lock systems ever manufactured.

If a break-in is attempted, the Ultion detects the forced entry and activates **LOCK DOWN MODE**; an attack lock directly into the central cam.

If the intruder is determined and does manage to get past Ultion's two sacrificial sections he won't get to the attack lock because it is protected deep inside a solid molybdenum core and secured with a dedicated retaining pin.

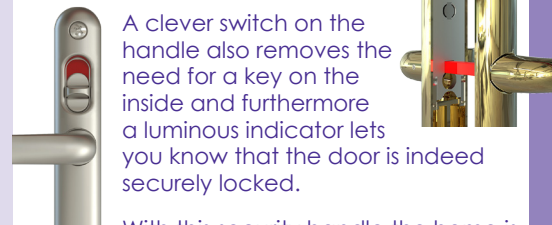
The householder can be assured that when Ultion is in lockdown mode their home and family are safe. Furthermore if an intruder does snap an ultion lock and breaks into the home, Ultion have guaranteed to pay £1,000.

What stands between your family and an intruder?  
**Your Door**



## ADD A "LOCK LOCK" SECURITY HANDLE FOR EVEN MORE PROTECTION

The Lock Lock security handle has a patented lock-block that stops the spindle turning.

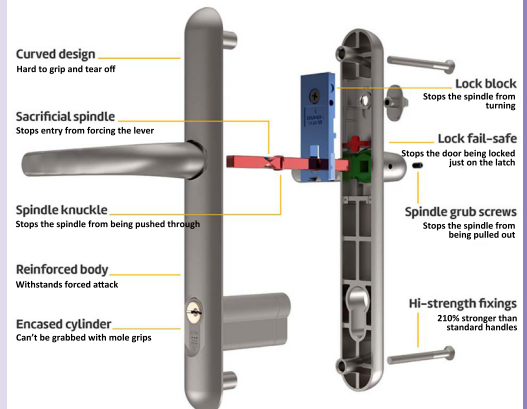


A clever switch on the handle also removes the need for a key on the inside and furthermore a luminous indicator lets you know that the door is indeed securely locked.

With this security handle the home is "locked and locked", meaning double the protection for the homeowner. The handle must be turned up and the hooks engaged before the switch can be operated.

Download the full specification sheet from our website for more information.

### 9 WAYS THE LOCK LOCK PROTECTS, WHERE OTHER HANDLES DON'T



Double cylinders, thumb turns and keyed alike are available from Climatec.

Visit the technical section of our website to download the specification sheet.

When the Ultion lock detects an attack, it goes into **Lock Down Mode**. A hidden attack lock secures the mechanism.

- Double Anti-Snap protection** The intruder needs to snap Ultion twice before he sees the core.
- 2 Attack locks** Lock still works from inside after an attack.
- 11 Pins** Twice as many as normal locks.
- 8 Drill Defences** 6 hardened steel rods and 2 plates in both ends.
- 25% Denser than iron** The molybdenum core that houses the attack pins.



# WINDOW AND DOOR OPTIONS



**A market leading manufacturing method to produce R9 windows and doors UNGLAZED has had Climatec Windows very busy indeed.**

With investment in new machinery a necessity, Climatec have fabricated sample after sample of these unglazed flush sash windows and doors to make sure that the highest quality is achieved for our customers.

The new ETL (External Timber Look) weld is the perfect solution to provide a flush sash window with a traditional joined appearance on the external face, but unlike the fully mechanical R9 product, these windows and doors do not need to be glass bonded.

Whilst there is no doubting the authenticity and high quality of a mechanically joined, glass bonded R9 windows, Climatec have also wanted to offer an easier on site solution for installers. The decision to invest time and money into adopting this new welding process has been a very worthwhile process already.



## METHOD 1

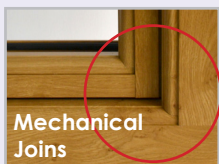
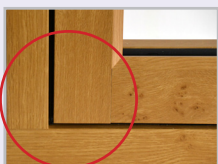
### Fully Mechanical Flush Sash Windows

*Mechanical Outer/Mechanical Sash Construction Method (MO-MS)*

The Residence range of windows and doors were designed to mimic original timber windows with authentic looking butt joints. To achieve this authentic look all joints are pre-machined before being mechanically joined in the factory.

All fixed window panes are produced as dummy sashes and therefore all glazing is either into a dummy sash or a top/side opening light. All windows and doors manufactured using this method of construction are supplied fully glazed with the glass bonded into place. This process ensures that the mechanical sash joints cannot separate once installed.

R9 windows fabricated using this method are the most authentic replica for older timber windows, however they will be heavy due to them being supplied fully glazed. This will need to be considered when ordering this option of window due to health and safety on site, especially when installing windows above ground level.



## METHOD 2

### External Timber Look Welded Flush Sash Window and Doors

*Mechanical Outer/ETL Weld Sash Construction Method (MO-TWS)*

Whilst still preserving the authentic timber jointed appearance, a specially designed machining process welds the sashes together at the corners in such a way that the external appearance is the same as if it had been mechanically jointed. The internal joint is a welded mitred joint that is 0.5mm wide and on most coloured profiles this is hardly noticeable. The outer frames are produced in the same way as the conventional method, being fully mechanically jointed.

With this method of fabrication, R9 windows and doors can be ordered from us unglazed offering you the freedom to obtain your own glass, or alternatively we can supply to you loose. This eliminates the worry of risk that is associated with lifting or carrying heavy pre-glazed frames. Furthermore a broken glass unit can easily be replaced with no need to change the whole sash.



## METHOD 3

### Pinch Welded Flush Sash Window and Doors

*Mechanical Outer/Welded Sash Construction Method (MO-WS)*

Using this method of construction, the sashes are manufactured with fully welded mitred corners while the outer frames are fully mechanically jointed.

Windows and doors manufactured using this method can be supplied unglazed. Whilst these sashes might not have a timber jointed appearance they are welded in such a way that the mitred joint is only 0.5mm wide and therefore unobtrusive.



# NEW Handles, Handles & More Handles!

A new collection of window and door hardware has hit Climatec and Alu-tec's store room.

Casement windows can adopt a traditional styling with our new monkey tail and pear drop handles, or how about upgrading your front door with our new hand forged lever lever handles. And not forgetting our aluminium bi-fold and residential doors; there's a new folding handle in the offering from VBH's greenteQ range.

## MONKEY TAIL & PEAR DROP HANDLES & STAYS FOR CASEMENT WINDOWS

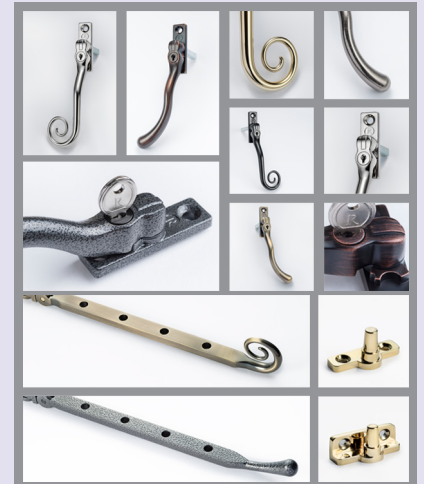
ROMATOPOLA

These monkey tail and pear drop handles with matching stays make up the Romatopola collection from Window Widgets.

Ideal for both period and contemporary windows, the handles are key locking and are available in two spindle lengths, 15mm and 40mm. There are also two styles of peg stays with both working and dummy options.

The handles and stays are available in nine classic colours (*shown right*). As well as black and white, you can also order antique bronze, satin chrome, polished chrome, electro gold, bronze red tint, pewter patina and graphite.

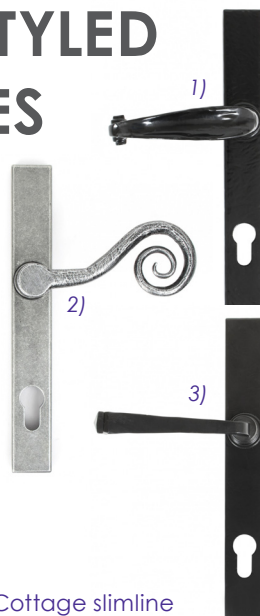
Further details can be found in the hardware section of our website.



## TRADITIONAL STYLED DOOR HANDLES

Any front door would benefit from a piece of hand made ironmongery and these handles, now available from Climatec, are no exception.

High quality and hand forged, each piece is unique to the buyer. Available in black and pewter patina finishes, these slimline lever lever handles have a special spring design which returns your lever to 90 degrees. It also allows the upward locking movement needed with our multi-point door locks.



The Avon and Cottage slimline handles are not 'handed' so can be used either side of your door and is bolt fixed from one side only for added security. The monkey tail slimline however is 'handed' so care must be taken to choose the correct hand.

Dimensions of these handles can be found on the specification sheet available to download from our website.

- Pictured above**
- 1) Cottage Slimline Lever/Lever
  - 2) Monkey Tail Slimline Lever/Lever
  - 3) Avon Slimline Lever/Lever



## FOLDING DOOR HANDLE FROM ALU-TEC

The Clearline SecuriFold door handle from greenteQ has been designed to allow the lever of the handle to fold down vertically when not in use, locating snugly against the backplate.

These handles can be used on any door, but particularly bi-folding doors.

When operating the door, the user simply pushes the lever in at the top to allow them to move it from the vertical inactive to the horizontal active position.

These new handles are neat and tidy, the lever hidden away so it cannot be seen through the glass when the doors are closed.



**Clearline SecuriFold handles are available to order in white, anthracite grey, black, satin and polished chrome finishes**

greenteQ

