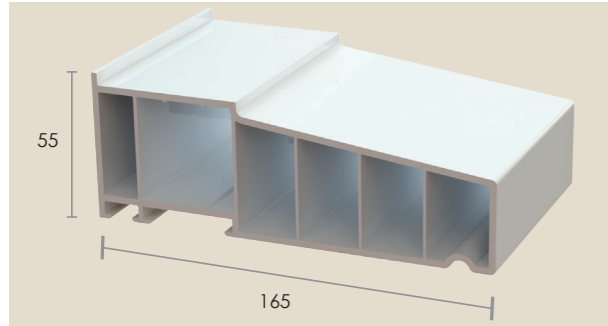


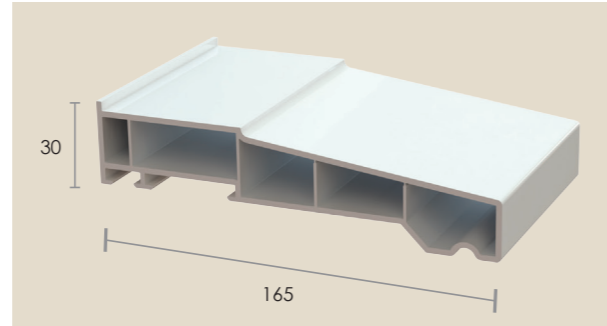
RESIDENCE 9 COLLECTION - ANCILLARY PROFILES



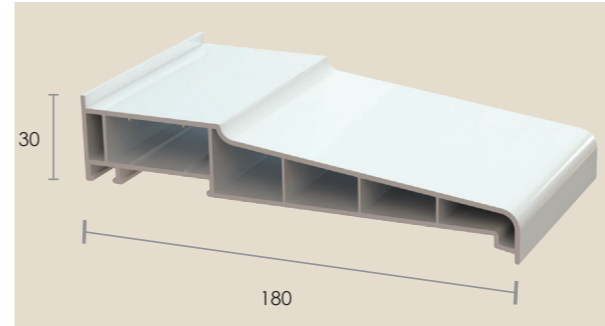
R009 55mm Radlington Cill
R324 55mm Radlington Cill End Cap pair



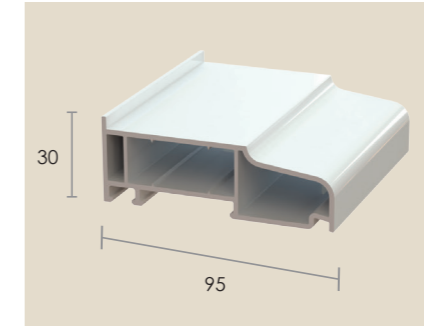
R009M 30mm Radlington Cill
R325 30mm Radlington Cill End Cap pair



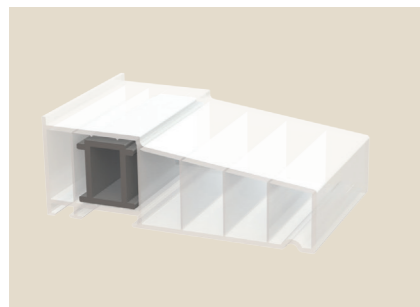
R007 180mm Cill
R311, R312 180mm Cill End Cap LH, RH



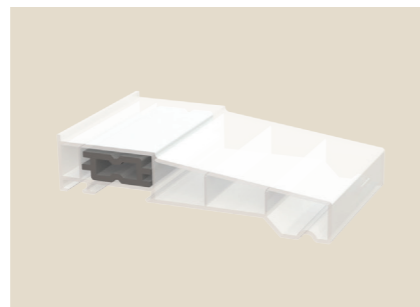
R008 95mm Stub Cill
R317, R318 95mm Stub Cill End Cap LH, RH



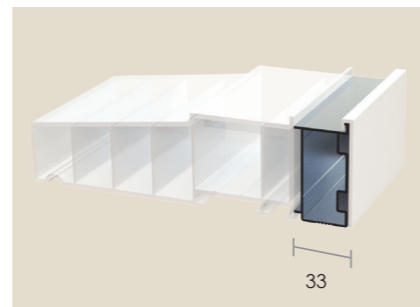
WERB009 PVCu Reinforcing
- use with R009



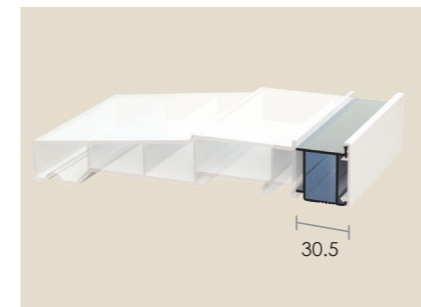
R209 PVCu Reinforcing
- use with 30mm Cills



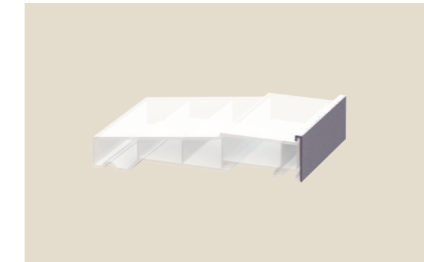
R117 Cill Extension - use with R009
R214 Trim



R106 Cill Extension
- use with R007, R008, R009M
MMCIN Trim



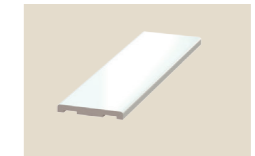
R217 Internal Cill Trims
- use with R007, R008, R009M
R214 Internal Cill Trim
- use with R009



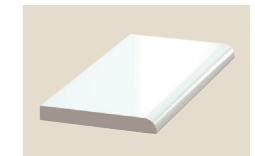
R213 PVC Trim 17.5mm Quadrant



R212 PVC Trim 25mm D Mould



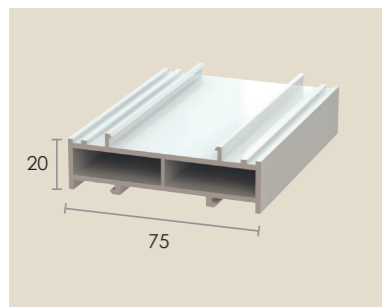
R207 PVC Trim 45mm Architrave



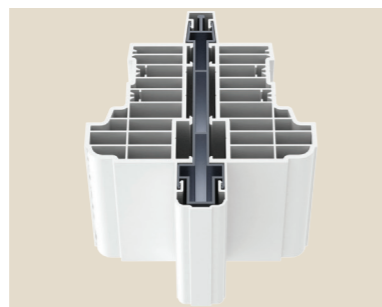
R211 PVC Trim
150mm x 9mm Soffit Board



20MMAO 20mm Add-on



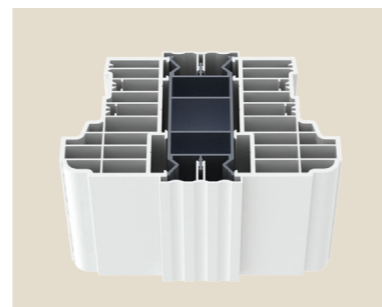
R120 10mm In-Line Coupler
R204 Internal Trim
R203 External Trim



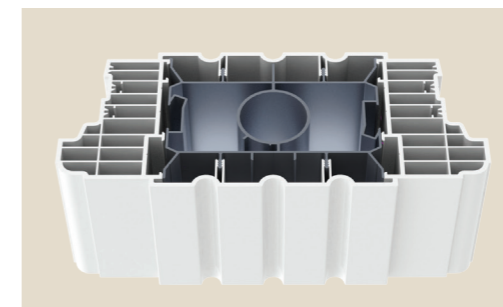
R107 24mm In-Line Coupler
PILDT Trim
Jack B 4832031 External Trim



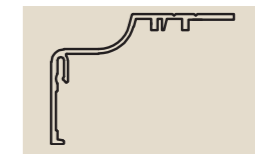
R9121 40mm In-Line Coupler
PILDT Trim



R115 132mm In-Line Coupler
CPILDT Trim
Jack 7



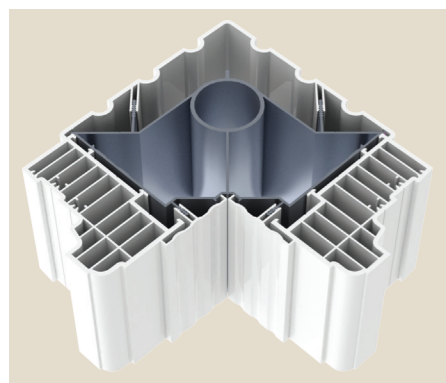
R235
Trickle Vent Cover



R236
Vent Cover Insert



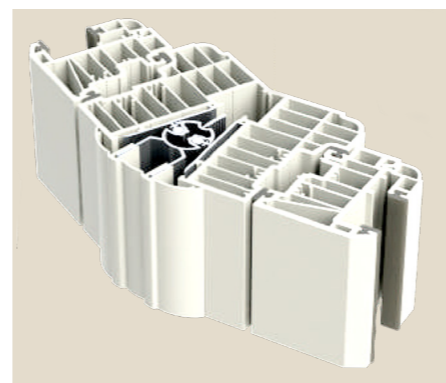
R108 90° Chunky Corner Post
VS90 Chunky Corner Post Cover
Jack 7



R109 120°-150° Variable Bay Post
482028 Frame Adapter
PILDT, VSO Internal, External Trim
Jack 7



482055 150°-179° Variable Bay Post
482104 Frame Adapter
DBI, DBO Internal, External Trim
Jack 19



R103 Mullion Stiffening
- Use with R001
R204 Trim



R104 Mullion Stiffening
- Use with R001, R001M
R203 Trim

