

## DOOR HANDLES - VARIOUS

### Inside:

- Alpha Standard Door Handle
- Coastline Door Handle
- Scrolled Door Handle
- Traditional Styled Door Handle
- Regal Heritage Door Handle
- Sweet Door Handle
- Sweet Lock Lock Security Door Handle
- Coastal Blu™ Stainless Steel Contemporary Door Handles
- Push Button Entry Door Handle
- Lever/Fixed Pad Door Handle for Slam Shut Operation

**For further assistance, call 01702 613733**

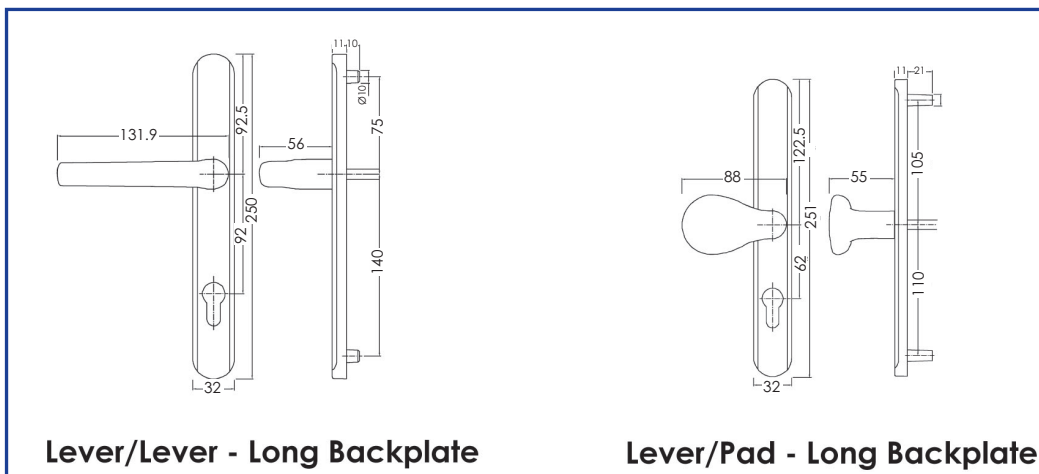
**[www.climatec-windows.co.uk](http://www.climatec-windows.co.uk)**

11-14 Fletchers Square, Temple Farm Industrial Estate, Southend-on-Sea, Essex SS2 5RN

## ALPHA DOOR HANDLE

The Alpha door handle has been designed to complement the Alpha espangollette casement window handles with good looks, long life and a comfortable feel in mind.

- Available as Lever/Lever or Lever/Pad
- Six colours available to match the Alpha suite of window and door furniture
- Standard finishes are white, PVD gold, polished chrome, satin, Enduro steel and black.
- Cylinder hole flange gives additional security and eliminates gap around cylinder cut out.



**For further assistance, call 01702 613733**

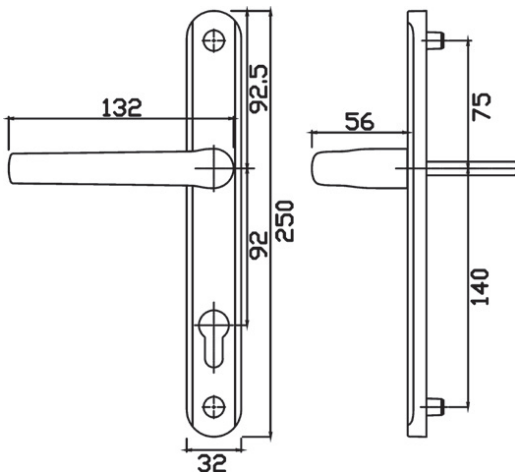
**[www.climatec-windows.co.uk](http://www.climatec-windows.co.uk)**

11-14 Fletchers Square, Temple Farm Industrial Estate, Southend-on-Sea, Essex SS2 5RN

## COASTLINE DOOR HANDLE

The Coastline Stainless Steel Door Handles from greenteQ are produced from grade 304 stainless steel to provide exceptional resistance to marine corrosion.

- Available in Gold, Chrome, Brushed finishes
- Grade 304 stainless steel construction for exceptional corrosion resistance
- Interchangeable with standard greenteQ Alpha furniture.
- 25 year guarantee\*



\*The Coastline Door furniture from greenteQ are guaranteed for 25 years. However, these handles must be installed and maintained in accordance with the following recommended guidelines:

- 1) Handle screws must not be over-tightened as this may impair the operation of the hardware.
- 2) All turning points on handles must be lightly lubricated twice a year.
- 3) All surfaces must be regularly cleaned with a soft damp cloth to remove any salt, dust or grime, taking care not to scratch the surface.

**Note:** The guarantee does not apply to any mechanical or surface finish fault if it is caused by wilful neglect, damage or inappropriate chemical contact.

**For further assistance, call 01702 613733**

[www.climatec-windows.co.uk](http://www.climatec-windows.co.uk)

11-14 Fletchers Square, Temple Farm Industrial Estate, Southend-on-Sea, Essex SS2 5RN

## SCROLLED DOOR HANDLE

- Solid die cast Zinc construction with heavy duty spring cassette.
- Sculpted ergonomic lever design for easy grip with consistent 90 degree lever return.
- Colour co-ordinated screw heads.
- Colours available - Chrome, Satin, Bronze, Gold, Graphite, Antique Black and White

### TECHINICAL INFORMATION

Corrosion resistance - Meets the requirements of BS EN 1670:2007 Grade 5 (480 hours)

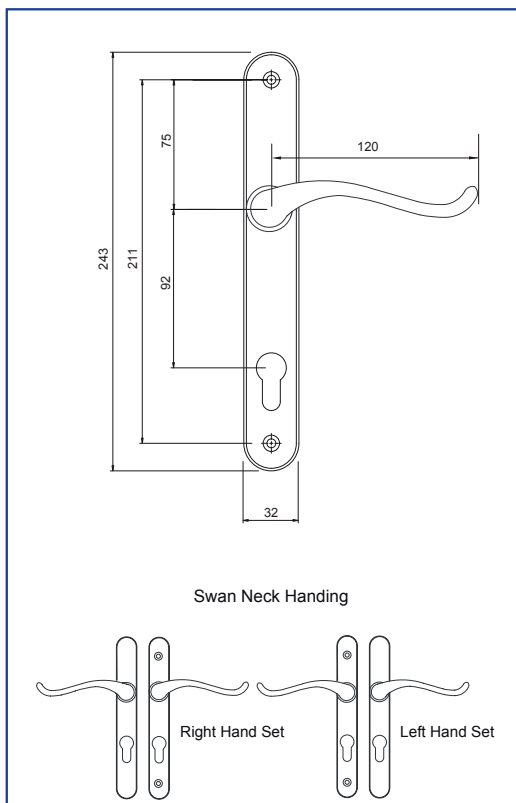
Operation - Endurance tested in excess of 200,000 cycles

Performance - Tested to meet the requirements of PAS24

### MATERIAL SPECIFICATION

- ❖ Handle Grip and Backplate - High quality Zinc for all finishes
- ❖ Coatings - Hardex Chrome, Hardex Satin, Hardex Bronze, Hardex Gold, Hardex Graphite\*, Antique Black and White
- ❖ Cylinder - Euro Cylinder, 92mm PZ
- ❖ Screws - Machine screws with colour co-ordinated heads for handle.

### BALMORAL (LONG BACK PLATE)



For further assistance, call 01702 613733

[www.climatec-windows.co.uk](http://www.climatec-windows.co.uk)

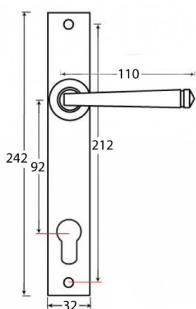
11-14 Fletchers Square, Temple Farm Industrial Estate, Southend-on-Sea, Essex SS2 5RN

## TRADITIONAL STYLED DOOR HANDLE

The high quality, hand-made, functional ironmongery promises to enhance both large and small building projects alike. And as these products are hand forged, each piece is unique.

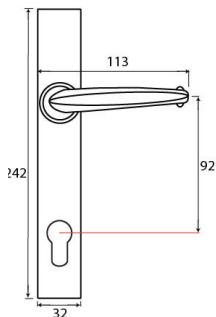
Not only suitable for our composite door range, these handles complement our R9 flush doors and our REHAU Total70 collection of doors to create an authentic traditional appearance to the front of the home. Note: These handles are not available for REHAU Rio doors.

### AVON SLIMLINE LEVER/LEVER



Available in Aged Brass, Aged Bronze, Black, Polished Chrome, Pewter Patina and Polished Bronze finishes  
- 212mm hole centre option only

### COTTAGE SLIMLINE LEVER/LEVER



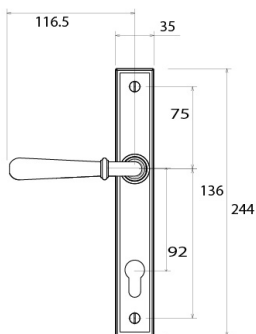
Available in Black and Pewter Patina finishes  
- 212mm hole centre option only

### MONKEY TAIL SLIMLINE LEVER/LEVER

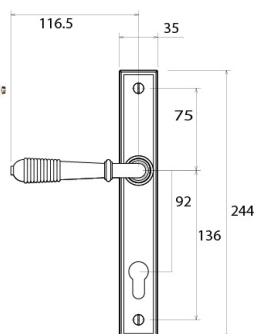


Available in Black and Pewter Patina finishes  
- 212mm hole centre option only

### NEWBURY LEVER/LEVER



### REEDED LEVER/LEVER



Available in Aged Brass, Aged Bronze, Polished Bronze, Polished Chrome, Polished Nickel

For further assistance, call 01702 613733

[www.climatec-windows.co.uk](http://www.climatec-windows.co.uk)

11-14 Fletchers Square, Temple Farm Industrial Estate, Southend-on-Sea, Essex SS2 5RN

## REGAL HERITAGE DOOR HANDLES

- Available for REHAU Total70 and Residence Collection doors only
- Traditional style door handle in monkey tail and Pear Drop Designs
- Rigorously tested to guarantee performance and long-lasting durability
- Choice of 9 colour finishes - Black, Satin Chrome, Polished Chrome, Gold, Antique Bronze, Brushed Copper, Rose Gold, Pewter Patina, Graphite
- Sprung lever
- The levers and back plates are supplied separately to be assembled during installation.
- Will meet the requirements of PAS24 when fitted as part of a compliant door set
- Dimensions:  
Backplate size - 32mm x 240mm  
Screw Centres - 211mm



Black



Satin Chrome



Polished Chrome



PVD Gold



Antique Bronze



Brushed Copper



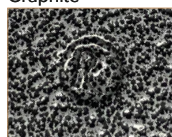
Rose Gold



Pewter Patina



Graphite



### Specifications:

- 10 year mechanical guarantee on all hardware
- Cycle tested to 50,000 cycles
- Satin chrome, polished chrome, graphite, black, pewter patina, PVD gold and antique bronze product guarantees:  
Corrosion tested to BS EN 1670 Grade 5  
Salt Spray tested for 480 hours
- Brushed copper product guarantee:  
Corrosion tested to BS EN 1670 Grade 4  
Salt Spray tested for 240 hours
- Rose gold product guarantee:  
Corrosion tested to BS EN 1670 Grade 3  
Salt Spray tested for 96 hours

For further assistance, call **01702 613733**

[www.climatec-windows.co.uk](http://www.climatec-windows.co.uk)

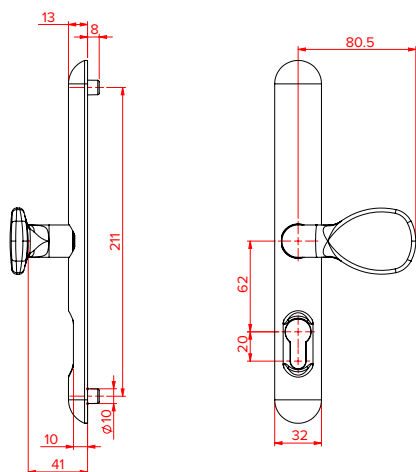
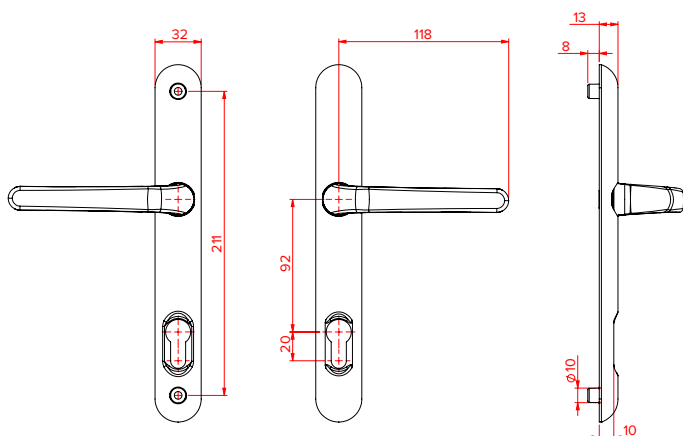
11-14 Fletchers Square, Temple Farm Industrial Estate, Southend-on-Sea, Essex SS2 5RN

## SWEET DOOR HANDLES

Brisant Secure who supply us with our 3\* high security Ultion cylinders have also designed a range of door furniture that is elegant as well as corrosion resistant.

The Ultion Sweet Furniture by Brisant-Secure boasts an 'edgeless' design that carries through their portfolio of hardware,

- Lever/ Lever and Lever/Pad Handles
- Layered with multiple coatings of brass and nickel for corrosion resistance.
- Over 8000 hours of salt water testing. 30x more time than required for the EN 1906:2012 corrosion standard.
- Manufacturer's 20 year Anti-corrosion guarantee.
- Manufacturer's 10 year Mechanical Guarantee
- Colour options available: Black, Chrome, Gold, Rose Gold, Stainless Steel, Anthracite Grey, Satin and White.



For further assistance, call 01702 613733

[www.climatec-windows.co.uk](http://www.climatec-windows.co.uk)

11-14 Fletchers Square, Temple Farm Industrial Estate, Southend-on-Sea, Essex SS2 5RN

## SWEET LOCK LOCK SECURITY DOOR HANDLE

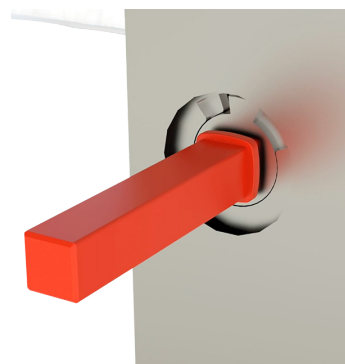
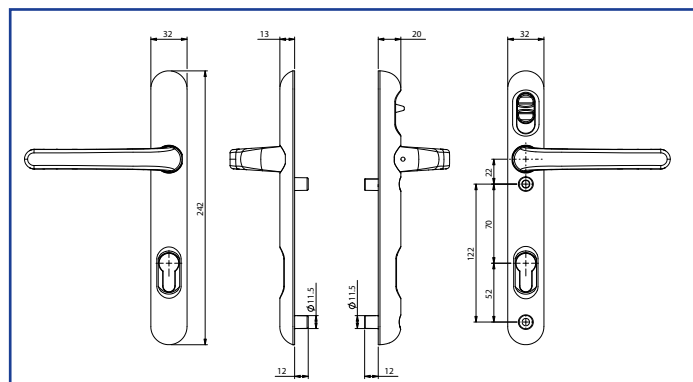
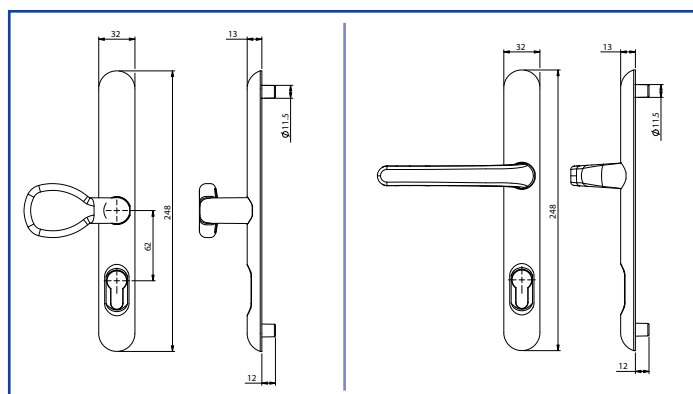
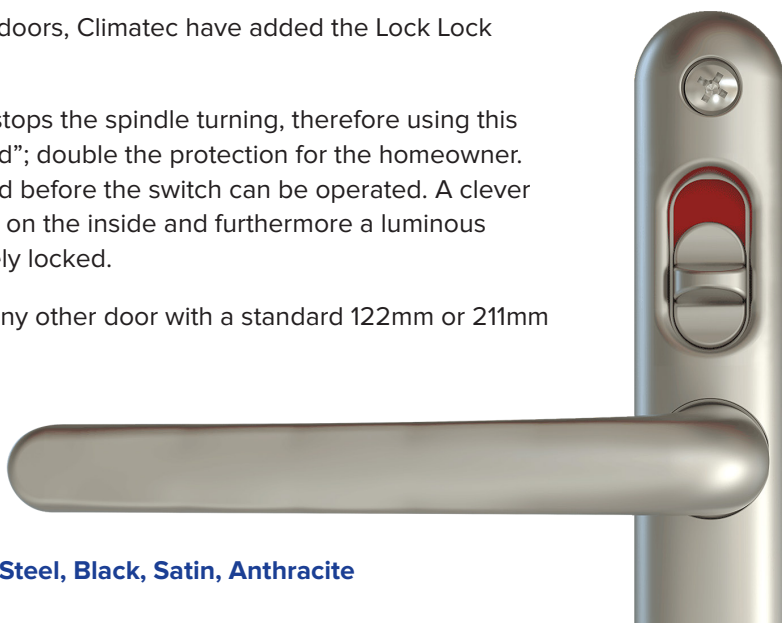


For added protection and increased security for your doors, Climatec have added the Lock Lock security handle to their hardware collection.

The Lock Lock security handle's patented lock-block stops the spindle turning, therefore using this security handle means the home is "locked and locked"; double the protection for the homeowner. The handle must be turned up and the hooks engaged before the switch can be operated. A clever switch on the handle also removes the need for a key on the inside and furthermore a luminous indicator lets you know that the door is indeed securely locked.

The Lock Lock fits all PVC and composite doors and any other door with a standard 122mm or 211mm handle set.

- Patented Design
- The handle can be retro-fitted
- Available as Lever/Lever or Lever/Pad
- Colours available - White, Gold, Chrome, Stainless Steel, Black, Satin, Anthracite Grey and Rose Gold
- Option available for external handle without a cylinder for doors that are never locked from the outside.



For further assistance, call 01702 613733

[www.climatec-windows.co.uk](http://www.climatec-windows.co.uk)

11-14 Fletchers Square, Temple Farm Industrial Estate, Southend-on-Sea, Essex SS2 5RN



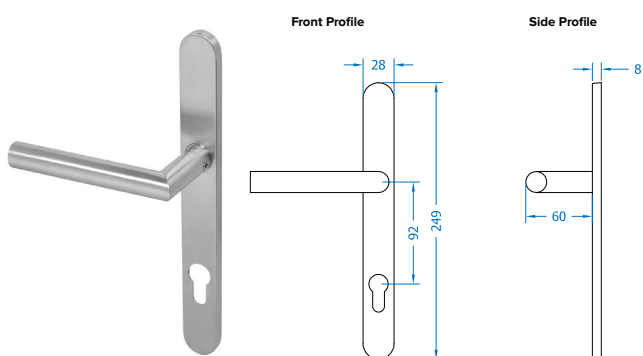
## BLU™ STAINLESS STEEL DOOR HANDLE

Coastal Group's contemporary door furniture includes sleek lever handles which look fabulous on aluminium and upvc doors.

- Manufactured from 316 Marine Grade Stainless Steel
- Ideal for use where corrosion levels are high such as city or coastal environments and with acidic timber
- Part of a suited range of hardware including matching window handle

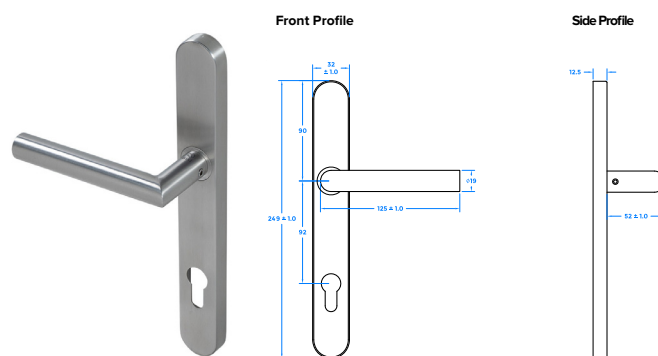


# COASTAL



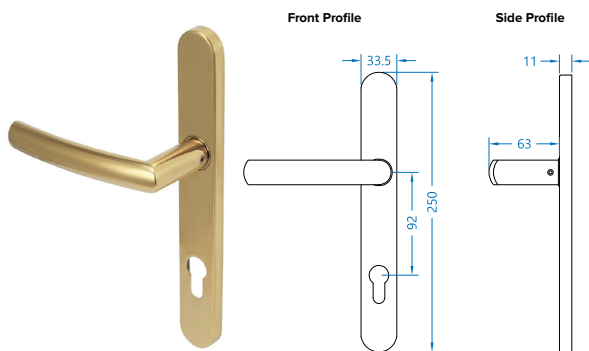
**Mitre Lever Door Handle on Backplate (Unsprung) - KM070**

- Available in Satin Stainless Steel and Matt Black



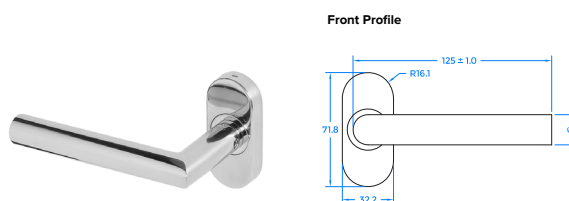
**Mitre Lever Door Handle (Dual Sprung) - KM078**

- Available in Satin Stainless Steel, Polished Stainless Steel and Matt Black



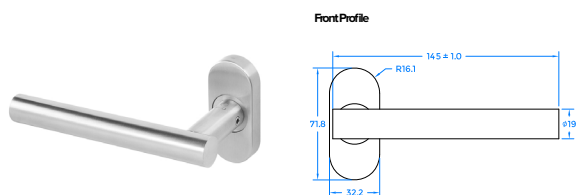
**Lever Door Handle - JR095**

- Available in Satin Stainless Steel, Polished Stainless Steel and Polished Brass



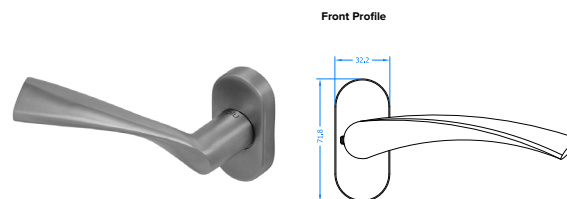
**Solid Mitre Door Lever Handle On Oval Rose - KM960**

- Available in Satin Stainless Steel and Polished Stainless Steel



**T Bar Door Lever Handle On Oval Rose - KM965**

- Available in Satin Stainless Steel and Matt Black



**Wing Door Lever Handle On Oval Rose - WH990**

- Available in Satin Stainless Steel

**For further assistance, call 01702 613733**

[www.climatec-windows.co.uk](http://www.climatec-windows.co.uk)

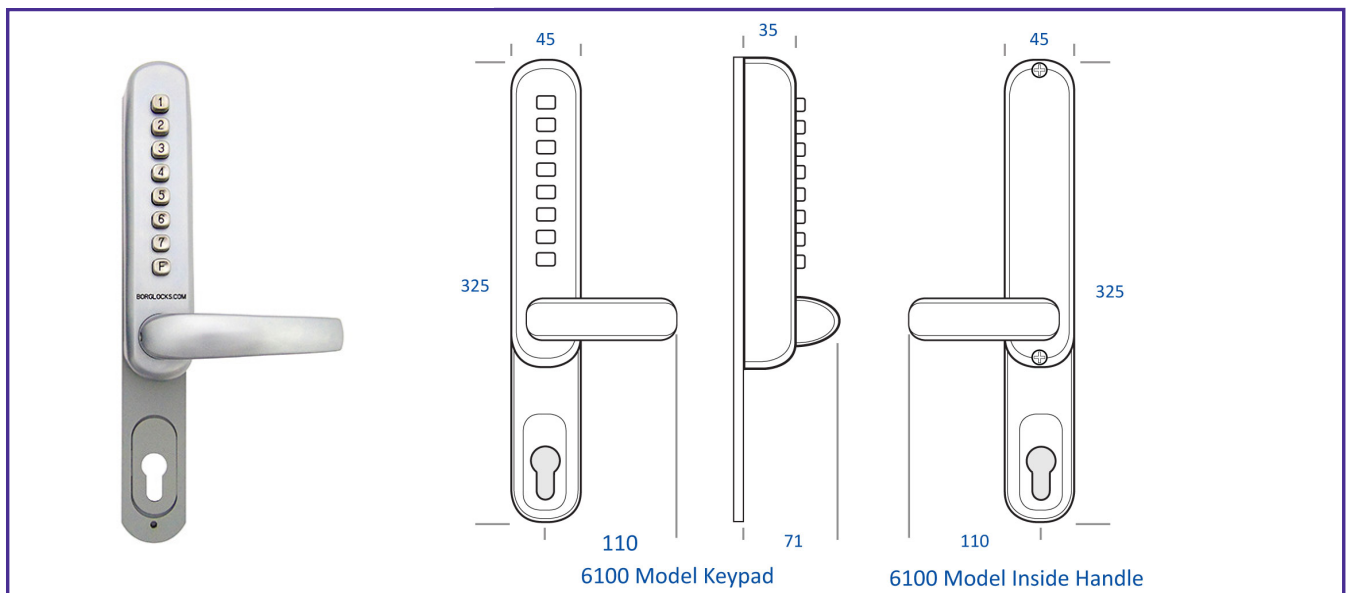
11-14 Fletchers Square, Temple Farm Industrial Estate, Southend-on-Sea, Essex SS2 5RN

## PUSH BUTTON ENTRY DOOR HANDLE

The Ideal upgrade from a standard set of lever handles for PVCu doors. Fitted using the existing fixing centres, this handle can be adapted to suit a number of different locking centres.



- Suitable for use with 90 & 92mm centre multi point locks
- 325mm extension plate fitted behind both keypad & inside handle to cover any existing holes
- Over 2100 different code combinations
- Greater level of security
- Free turning handle until the correct code is entered
- No tumbler or pins to remove to change code
- 70° handle rotation ideal for multi-point locks
- Narrow housing perfect for PVCu and Aluminium section
- Suitable for internal or external applications



**For further assistance, call 01702 613733**

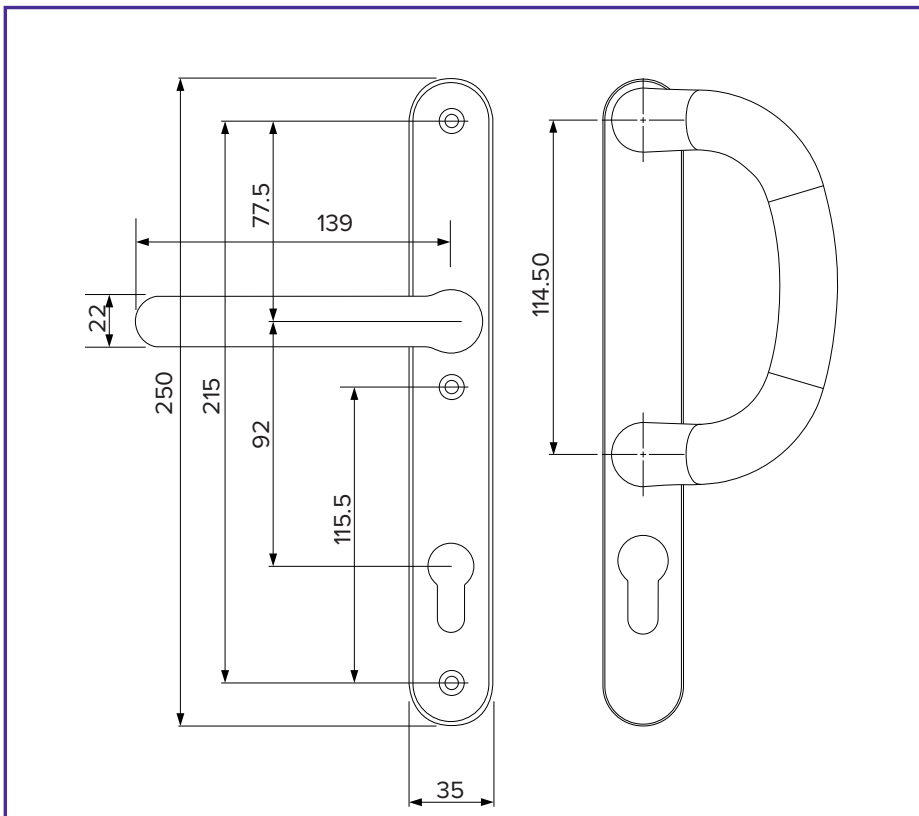
**[www.climatec-windows.co.uk](http://www.climatec-windows.co.uk)**

11-14 Fletchers Square, Temple Farm Industrial Estate, Southend-on-Sea, Essex SS2 5RN

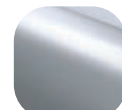
## LEVER / FIXED PAD DOOR HANDLE

This external D ring handle and internal lever is suitable for use with electric latches and slam shut operations.

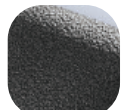
- Solid die cast zinc construction with heavy duty spring cassette for sturdy feel and 90 degree internal lever return
- Non-handed design - D ring handle and lever can be easily reversed
- Sculpted ergonomic D ring and lever for easy grip. Low friction nylon bushes provide smooth action.
- Wide backplate to suit cylinder guard and accommodate larger cylinder preparation
- Available in Chrome, Satin, Antique Black, Bronze, Gold and Graphite finishes



Chrome



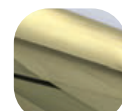
Satin



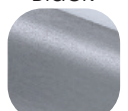
Antique Black



Bronze



Gold



Graphite

**For further assistance, call 01702 613733**

[www.climatec-windows.co.uk](http://www.climatec-windows.co.uk)

11-14 Fletchers Square, Temple Farm Industrial Estate, Southend-on-Sea, Essex SS2 5RN