



## DOOR HINGES - VARIOUS

### Inside:

- Sigma Door Flag Hinge
- Sigma Door Hybrid Hinge for Rehau Doors
- SFS Door Hinge for Rehau Rio Doors
- SFS Door Hinge for Residence Doors
- High Security Door Flag Hinge
- Dr Hahn Panic Door Hinge
- Door Butt Hinge for Rehau Doors

**For further assistance, call 01702 613733**

**[www.climatec-windows.co.uk](http://www.climatec-windows.co.uk)**

11-14 Fletchers Square, Temple Farm Industrial Estate, Southend-on-Sea, Essex SS2 5RN

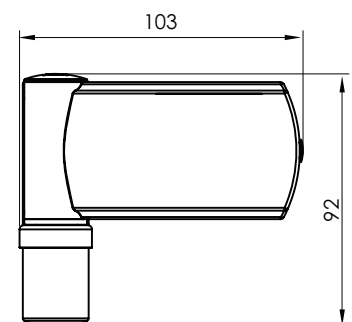
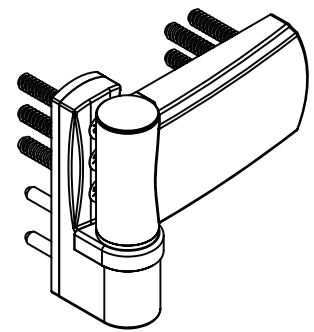
## SIGMA DOOR FLAG HINGE



The Sigma hinges has been styled to match our door furniture and is designed to comply with BS EN 1935, Single-Axis Hinges. They are also capable of meeting the requirements of PAS24:2012 (Enhanced Security Performance for Single Door Assemblies).

### Door Flag Hinges

- Quality flag hinge for rebated doors with upstand heights between 13.5mm and 25.5mm
- Available in seven colour options - white, brown, tan, black, polished gold, polished chrome and satin silver.
- Tested to achieve corrosion resistance of grade 5, BS EN 1670
- Able to carry sashes of 80kg with two hinges, or 120kg with three.
- Allows up to 190° opening angle
- Full 3D adjustment
- Adjustment gap cover



**For further assistance, call 01702 613733**

**[www.climatec-windows.co.uk](http://www.climatec-windows.co.uk)**

11-14 Fletchers Square, Temple Farm Industrial Estate, Southend-on-Sea, Essex SS2 5RN

## SIGMA DOOR HYBRID HINGE - FOR REHAU DOORS

The Sigma hybrid hinge is ideal for rebated PVCu doors. The hinge provides a more traditional look than a typical flag hinge and is also available in a wide variety of colours.

- Security hinge specifically designed to exceed the requirements of PAS24
- Offers full 3D adjustment
- Compact design offers unrivalled strength, yet maintains slim sightliness with no evidence of drop
- Over rebate fixings into 8mm bosses provide exceptional security and stability
- Additional security screw to prevent tampering on externally hung doors
- Tested to 80kg sash weight using only 2 hinges
- 15 colour options available
- Suits inward and outward opening doors
- 10 year mechanical guarantee



WHITE



BLACK



GOLD



CHROME



SATIN SILVER



SMOKEY CHROME



CEMENT GREY RAL 7033



ICEPLANT GREEN 14-C-35



SILK GREY RAL 7044



ANTHRACITE GREY RAL 7016



CHOCOLATE BROWN RAL 8017

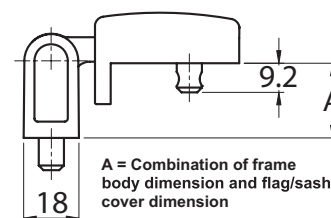
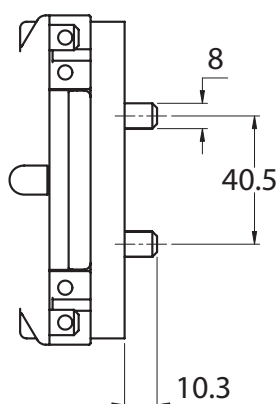
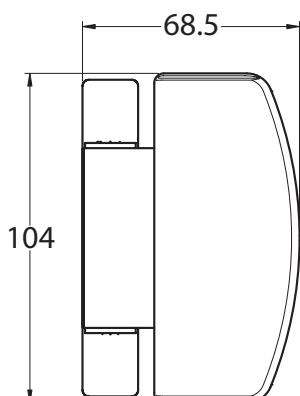


BEIGE BROWN RAL 1011



CREAM RAL 9001

\* ALSO AVAILABLE IN TAN AND BROWN (NOT PICTURED)



### MATERIAL SPECIFICATION

Quality Zinc die cast construction incorporating stainless steel hinge pin

For further assistance, call 01702 613733

[www.climatec-windows.co.uk](http://www.climatec-windows.co.uk)

11-14 Fletchers Square, Temple Farm Industrial Estate, Southend-on-Sea, Essex SS2 5RN

## SFS DOOR HINGE - FOR REHAU RIO OPEN OUT DOORS



- SFS Dynamic 3D for REHAU profile groove
- Only 3 hinges per sash required.
- Fully adjustable
  - Horizontal +/-3mm
  - Height -2mm / +6mm
  - Compression +/-2mm
- PAS 24 tested
- Available in black or white



**For further assistance, call 01702 613733**

**[www.climatec-windows.co.uk](http://www.climatec-windows.co.uk)**

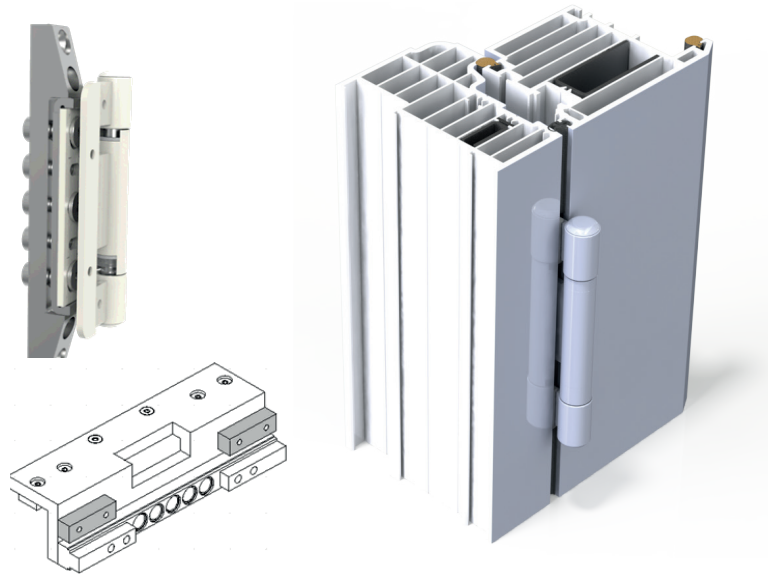
11-14 Fletchers Square, Temple Farm Industrial Estate, Southend-on-Sea, Essex SS2 5RN

## SFS DOOR HINGE - FOR RESIDENCE OPEN OUT DOORS

The Residence Collection have partnered with hardware supplier SFS to bring you a dedicated 3D hinge for their Open Out Flush Door.

Each sash will only need 3 of these bespoke hinges which are fully adjustable and available in Matt Black and White.

- PAS 24 tested
- Only 3 hinges required per sash
- Bespoke hinge dedicated to Residence Open Out Door Sash
- No hinge protectors required for PAS24
- Fully adjustable
  - Horizontal +/-3mm
  - Height -2mm / +6mm
  - Compression +/-2mm
- Available in black or white.



**For further assistance, call 01702 613733**

**[www.climatec-windows.co.uk](http://www.climatec-windows.co.uk)**

11-14 Fletchers Square, Temple Farm Industrial Estate, Southend-on-Sea, Essex SS2 5RN

## HIGH SECURITY DOOR FLAG HINGE

### Paddock Neon 3D T Flag Door Hinge

- ❖ 3-way adjustable flag hinge;  $\pm 5$ mm lateral adjustment,  $\pm 2$ mm height adjustment
- ❖ Security cover plate for external doors as standard
- ❖ PAS 24 compliant
- ❖ 100kg load bearing hinge



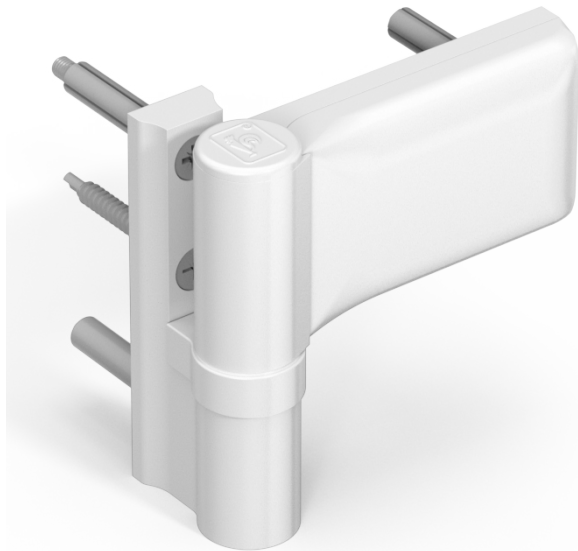
Available in 4 colour finishes -  
White, Brown, Gold and Chrome

**For further assistance, call 01702 613733**

**[www.climatec-windows.co.uk](http://www.climatec-windows.co.uk)**

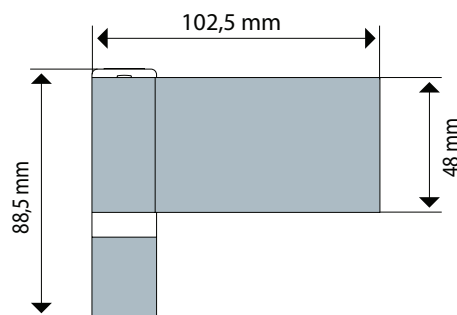
11-14 Fletchers Square, Temple Farm Industrial Estate, Southend-on-Sea, Essex SS2 5RN

## DR HAHN PANIC DOOR HINGE



The Dr Hahn Hinge is CE Marked for use with panic doors. Dr Hahn only uses top quality materials and incorporates what you would expect from a modern hinge: effortless 6 dimensional adjustability, timeless design and easy installation.

- CE certified according to EN 1935:2002, hinge class 13
- Same appearance retained after adjustment
- Can be used on left or right
- Bearing point maintenance-free
- Snug fit of all bearing and guide elements
- Efficient alignment, all adjustments can be carried out by a single person



**MATERIAL:** Made of extruded aluminium

**FASTENING METHODS:** Direct screw connection in frame and door

**ADJUSTABILITY:** Without raising or removing the door adjustable in 6 directions

Horizontal adjustment  $\pm 5$  mm

Vertical adjustment variable  $+ 3$  mm/ $- 2$  mm

Adjusting sealing pressure  $\pm 2.5$  mm

**LOAD CAPACITY:** Depending of profile section design max. 120 kg

**CERTIFICATIONS:** CE certified according to EN 1935:2002, hinge class 13 SKG 2 stars

**COLOURS:** White & brown available.

**For further assistance, call 01702 613733**

[www.climatec-windows.co.uk](http://www.climatec-windows.co.uk)

11-14 Fletchers Square, Temple Farm Industrial Estate, Southend-on-Sea, Essex SS2 5RN

## DOOR BUTT HINGE - FOR REHAU DOORS

### FLAT OR BEVELLED EDGE SASH

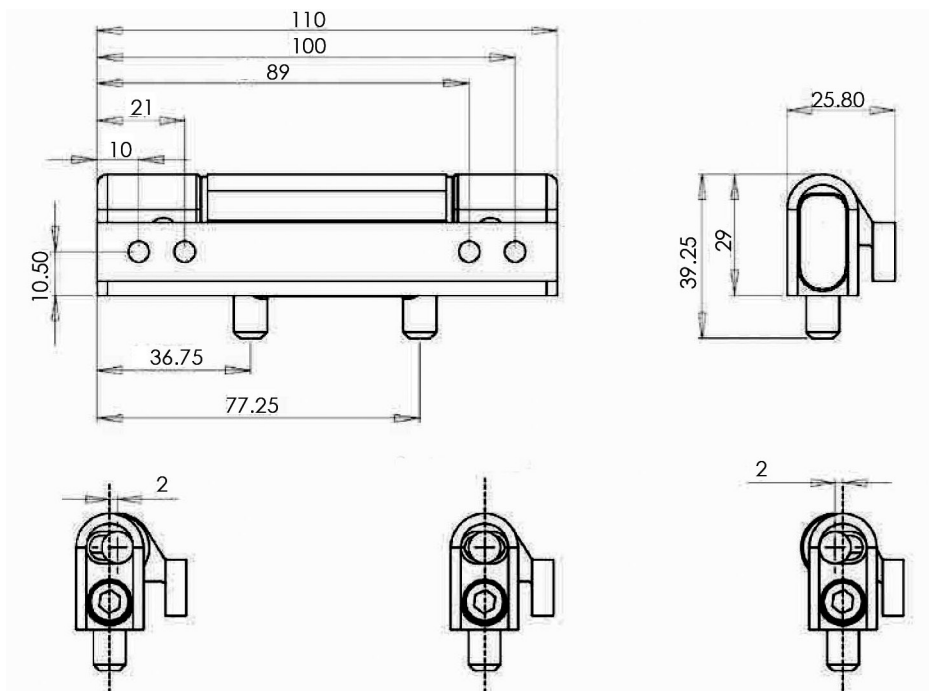
- ❖ Adjustable to ensure optimal weather tightness and easy set-up
- ❖ Two way adjustable ( $\pm 2\text{mm}$  lateral,  $+4\text{mm}$  vertical) and can be achieved without removing door leaf
- ❖ Steel hinge pin
- ❖ 80kg maximum sash weight (3 hinges)
- ❖ Available in white and brown finishes



Door Butt Hinge for Flat Edge Sash



Door Butt Hinge for Bevelled Edge Sash



For further assistance, call 01702 613733

[www.climatec-windows.co.uk](http://www.climatec-windows.co.uk)

11-14 Fletchers Square, Temple Farm Industrial Estate, Southend-on-Sea, Essex SS2 5RN