



RESTRICTORS - VARIOUS

Inside:

- Casement/Tilt & Turn Restrictor Catch
- Door Restrictor
- VS Rola Travel Restrictor
- VS Sharks Fin Travel Restrictor

For further assistance, call 01702 613733

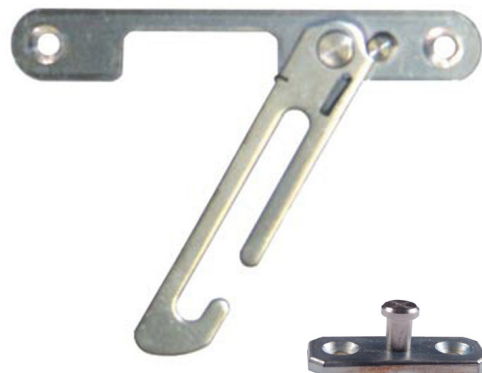
www.climatec-windows.co.uk

11-14 Fletchers Square, Temple Farm Industrial Estate, Southend-on-Sea, Essex SS2 5RN

CASEMENT / TILT & TURN RESTRICTOR CATCH

Casement Only - Type 1

- ❖ Spring loaded safety and security catch.
- ❖ Suitable for outwards opening windows.
- ❖ Gives up to a maximum of 50mm opening providing both ventilation and child safety.
- ❖ To release catch from secured position, pull window back and hold the spring loaded arm.
- ❖ Catch automatically engages studplate upon closing.

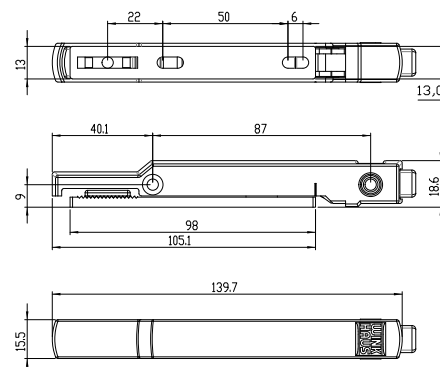


Casement Only - Type 2

- ❖ Suitable for outwards and inwards opening windows.
- ❖ Restricts opening to a maximum of 100mm, providing ventilation and child safety.
- ❖ Stay arm easily released with a screwdriver from sash/frame bracket for full opening of window.
- ❖ Manual engagement required to regain safety operation.

Casement/Tilt & Turn

- ❖ The bar of the catch holds the sash in the open position.
- ❖ Lockable using an Allen Key
- ❖ High level of safety for children and the elderly. Operation only possible by using two hands.
- ❖ Automatically stops in arrested position and automatically re-engages when sash is closed.
- ❖ Limits the opening of the sash to approximately 50mm in turn position when fitted on handle side. When fitted on top or bottom a variable opening is possible depending on window size and positioning of the catch.



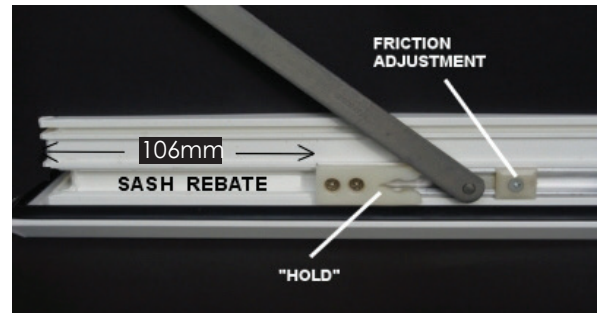
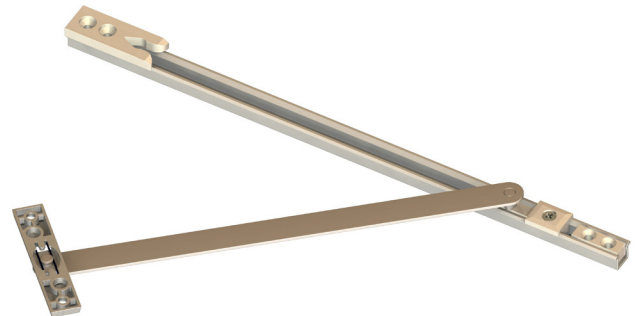
For further assistance, call 01702 613733

www.climatec-windows.co.uk

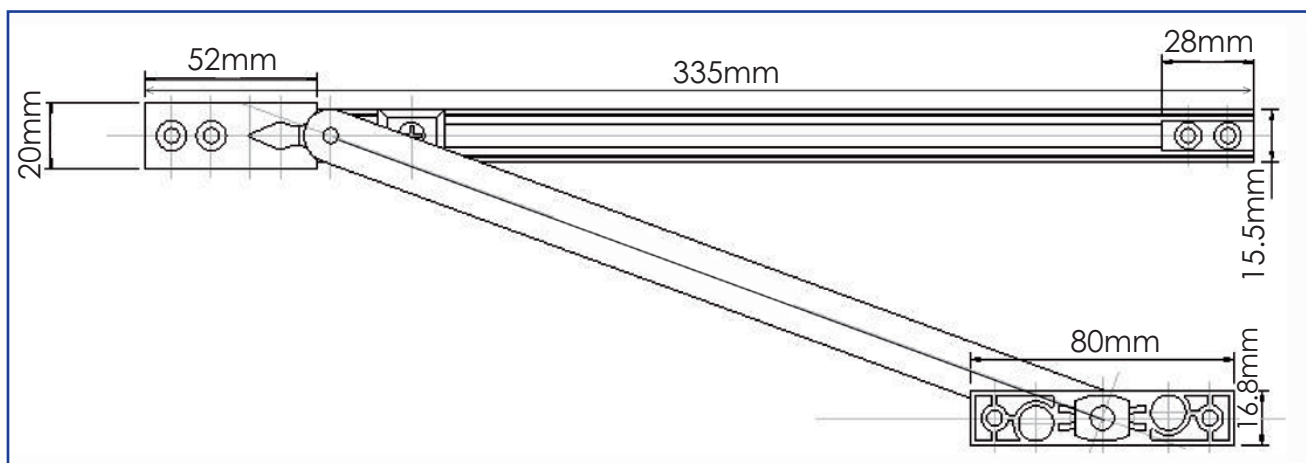
11-14 Fletchers Square, Temple Farm Industrial Estate, Southend-on-Sea, Essex SS2 5RN

DOOR RESTRICTOR

- ❖ Hold Open Door Restrictors is available with passivated mild steel arms as standard.
- ❖ The restrictor body fits in the full depth eurogroove at the top of the door and restricts the opening to 90 degrees or more, depending on where the frame part is fixed.
- ❖ The hold-open function prevents the sash from blowing closed in normal wind conditions.
- ❖ The restrictor features a Friction Pad.
- ❖ The door restrictors are designed to operate in a minimum 12mm air gap.
- ❖ Complete with mouldings to NYLON 66 for less wear and greater durability.
- ❖ Different positioning of the frame/sash parts will give the required hold open position.
- ❖ The friction can be easily adjusted and the arm can be disconnected should it be necessary to open the door fully.
- ❖ Can be retro fitted to existing doors.



NOTE: The hold facility is robust but is not designed to cope in strong wind conditions.



For further assistance, call 01702 613733

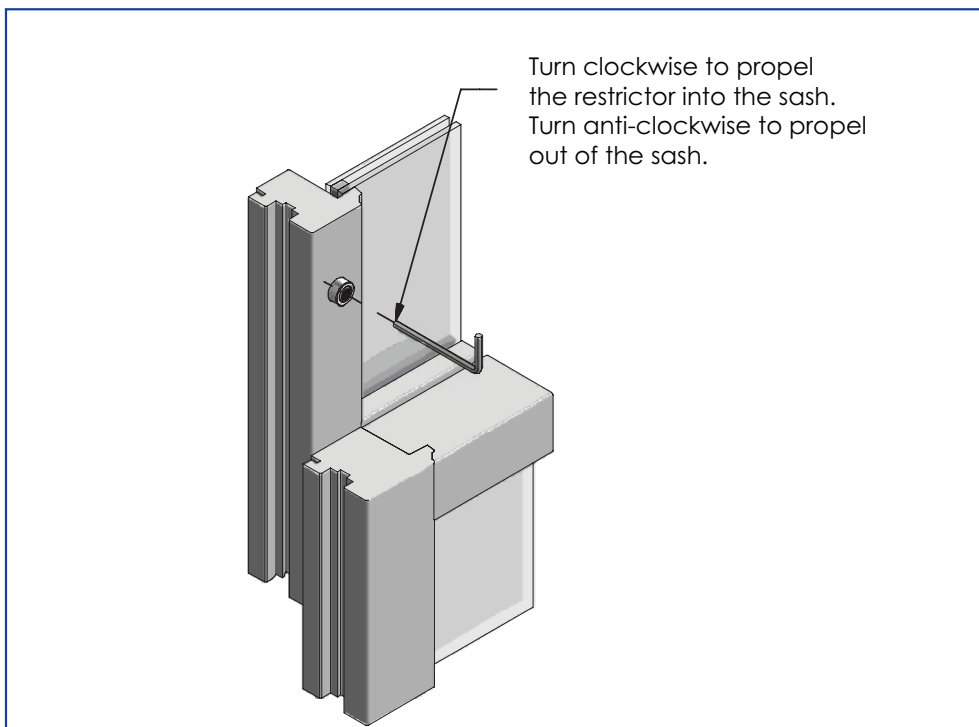
www.climatec-windows.co.uk

11-14 Fletchers Square, Temple Farm Industrial Estate, Southend-on-Sea, Essex SS2 5RN

VS ROLA TRAVEL RESTRICTOR

Travel Limit Restrictor

- ❖ Restrict amount of opening on sash windows to 100, 150 or 200mm.
- ❖ Discreet in appearance and location.
- ❖ Offers enhanced security.
- ❖ Key operated for child safety.
- ❖ Available in white, gold, chrome, satin and pewter finishes



For further assistance, call 01702 613733

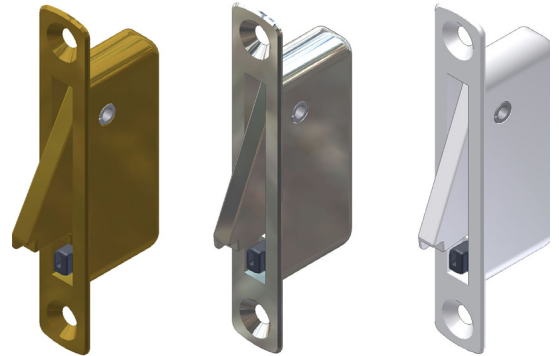
www.climatec-windows.co.uk

11-14 Fletchers Square, Temple Farm Industrial Estate, Southend-on-Sea, Essex SS2 5RN

VS SHARKS FIN TRAVEL RESTRICTOR

Travel Limit Restrictor

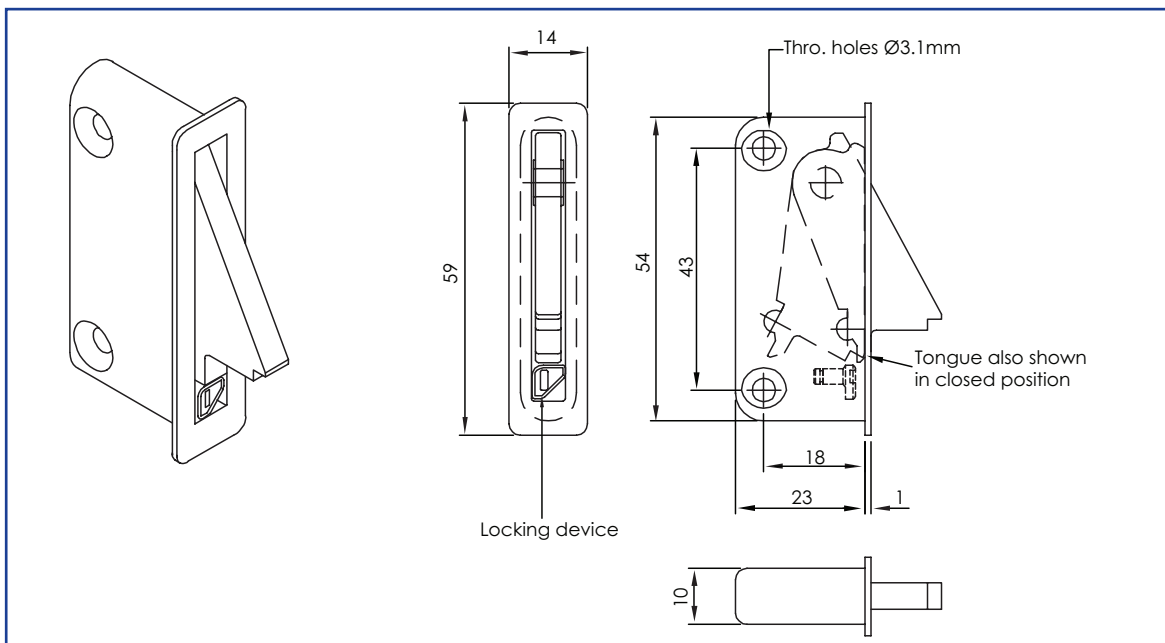
- ❖ Restrict amount of opening on sash windows to 100, 150 or 200mm.
- ❖ Discreet in appearance and location.
- ❖ Offers enhanced security.
- ❖ The spring loaded tongue is lockable in both the flush and projecting position.
- ❖ Available in white, gold, chrome, satin & pewter finishes



MATERIAL SPECIFICATION

Body: Zinc pressure die-casting
Tongue: Zinc pressure die-casting.

Spring: Spring Steel
Latch operating key: Black Acetal



For further assistance, call 01702 613733

www.climatec-windows.co.uk

11-14 Fletchers Square, Temple Farm Industrial Estate, Southend-on-Sea, Essex SS2 5RN