



## VERTICAL SLIDING WINDOW HANDLES & OPERATIONAL HARDWARE

### Inside:

- D Handles & Lifts
- Tilt Latch Operating Knobs
- Sash Rings

**For further assistance, call 01702 613733**

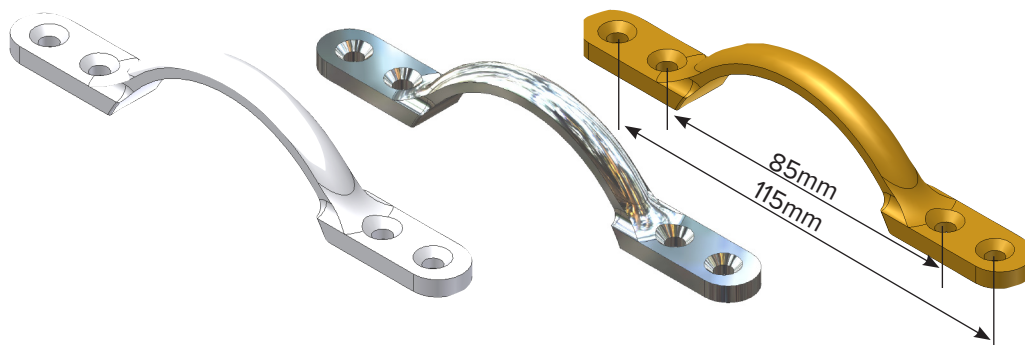
**[www.climatec-windows.co.uk](http://www.climatec-windows.co.uk)**

11-14 Fletchers Square, Temple Farm Industrial Estate, Southend-on-Sea, Essex SS2 5RN

## D HANDLES & LIFTS

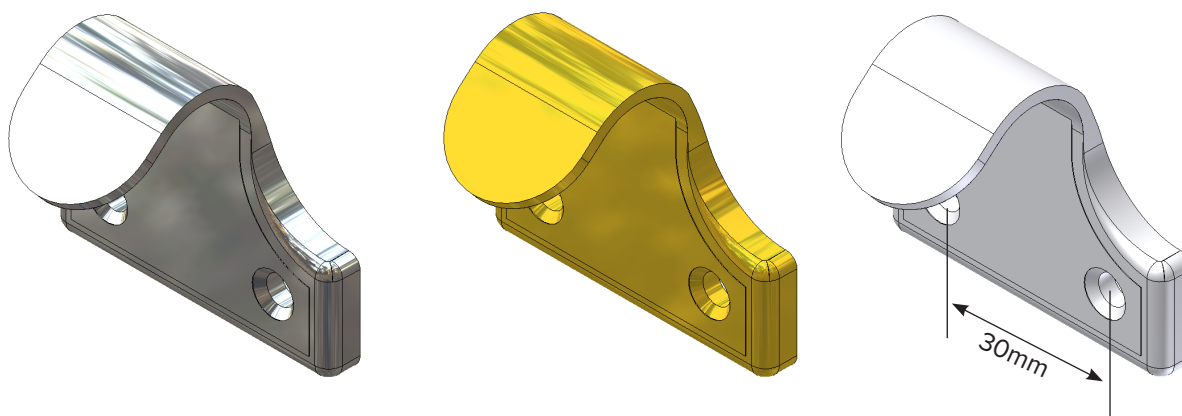
### D Handles - Top Sash

- ❖ D Handles provide easy opening and closing of sliding sash windows while having a low profile.
- ❖ Provides a positive grip to the sash for ease of operation.
- ❖ Hole diameters are 4.5mm
- ❖ Chrome, gold, white and satin finishes available



### Lifts - Bottom Sash

- ❖ Traditional Styling
- ❖ Pressed steel for strength (superior to brass)
- ❖ Consistent hole centres (superior to brass)
- ❖ Hole diameters are 5.0mm
- ❖ Chrome, gold, white and satin finishes available



**For further assistance, call 01702 613733**

[www.climatec-windows.co.uk](http://www.climatec-windows.co.uk)

11-14 Fletchers Square, Temple Farm Industrial Estate, Southend-on-Sea, Essex SS2 5RN

## TILT LATCH OPERATING KNOBS

The tilt latch range further supports the vertical sliding window and provides positive engagement of tilting sliding sash windows.



Available in Chrome, Gold, Satin and White finishes - fitted to bottom sash



Available in Satin - fitted to top sash

**For further assistance, call 01702 613733**

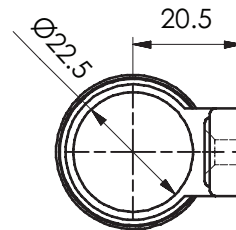
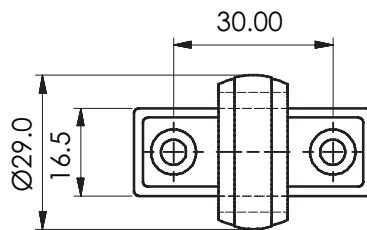
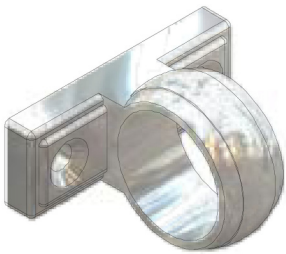
**[www.climatec-windows.co.uk](http://www.climatec-windows.co.uk)**

11-14 Fletchers Square, Temple Farm Industrial Estate, Southend-on-Sea, Essex SS2 5RN

## SASH RINGS

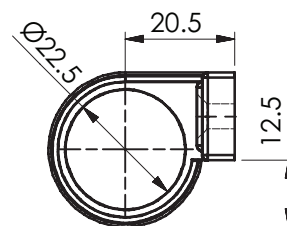
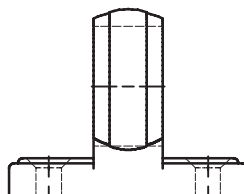
### Sash Ring

- ❖ Traditional Styling
- ❖ Pressure die cast for greater accuracy and consistency (superior to brass)
- ❖ Consistent hole centres (superior to brass)
- ❖ Chrome, gold, white and satin finishes available



### Offset Sash Ring

- ❖ Traditional Styling
- ❖ Pressure die cast for greater accuracy and consistency (superior to brass)
- ❖ Consistent hole centres (superior to brass)
- ❖ Offset offers more clearance for thinner sash profiles
- ❖ Chrome, gold, white and satin finishes available



**For further assistance, call 01702 613733**

[www.climatec-windows.co.uk](http://www.climatec-windows.co.uk)

11-14 Fletchers Square, Temple Farm Industrial Estate, Southend-on-Sea, Essex SS2 5RN