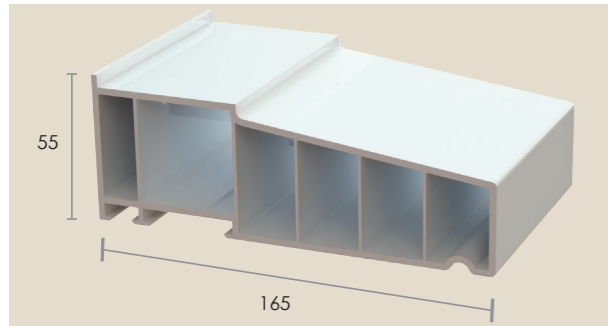


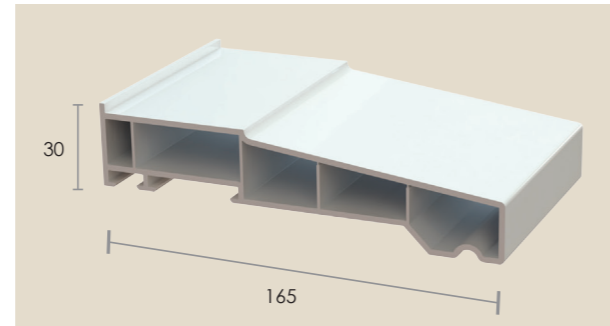
# RESIDENCE 7 COLLECTION - ANCILLARY PROFILES



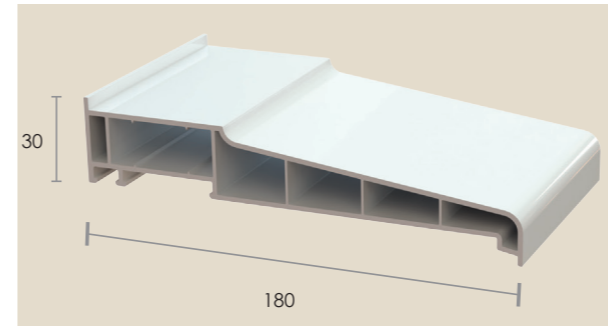
**R009** 55mm Radlington Cill  
**R324** 55mm Radlington Cill End Cap pair



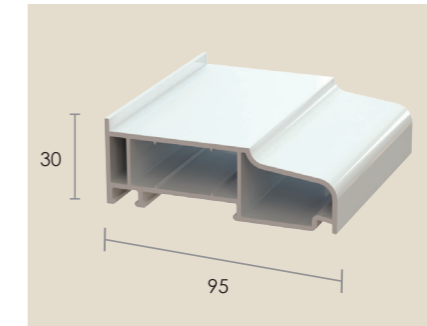
**R009M** 30mm Radlington Cill  
**R325** 30mm Radlington Cill End Cap pair



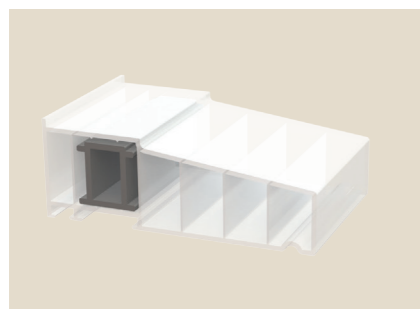
**R007** 180mm Cill  
**R311, R312** 180mm Cill End Cap LH, RH



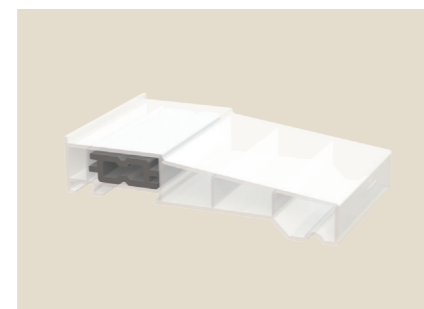
**R008** 95mm Stub Cill  
**R317, R318** 95mm Stub Cill End Cap LH, RH



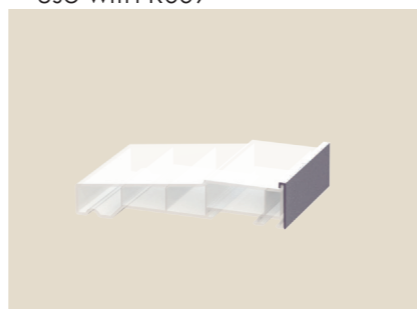
**WERB009** PVCu Reinforcing  
- use with R009



**R209** PVCu Reinforcing  
- use with 30mm Cills



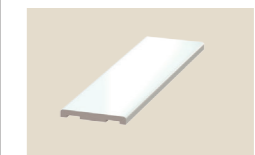
**R217** Internal Cill Trims  
- use with R007, R008, R009M  
**R214** Internal Cill Trim  
- use with R009



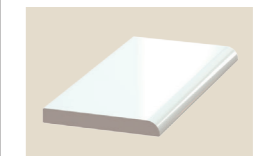
**R213** PVC Trim 17.5mm Quadrant



**R212** PVC Trim 25mm D Mould



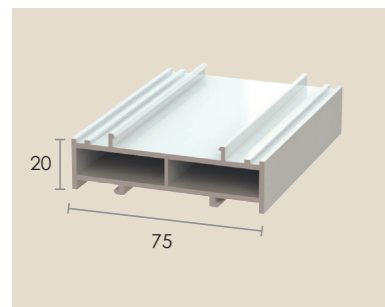
**R207** PVC Trim 45mm Architrave



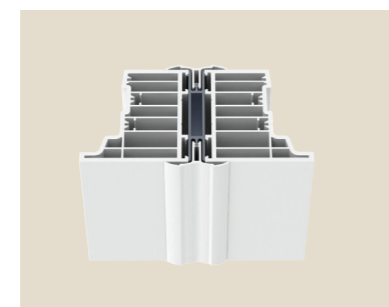
**R211** PVC Trim  
150mm x 9mm Soft Board



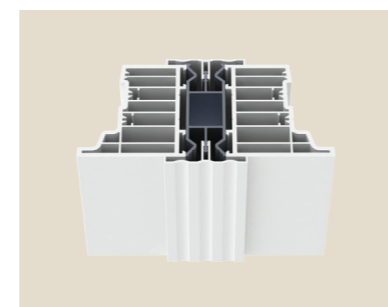
**20MMAO** 20mm Add-on



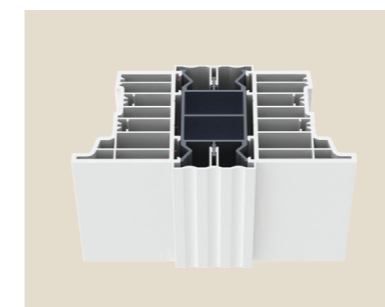
**R7120** 10mm In-Line Coupler  
DBI Trim



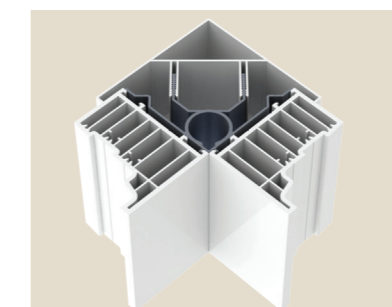
**R7107** 24mm In-Line Coupler  
PILDT Trim  
Jack B 482031



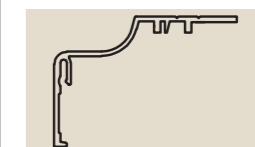
**R7121** 40mm In-Line Coupler  
PILDT Trim



**R78108** 90° Corner Post  
**90SQ** Square Corner Post Cover  
Jack 18



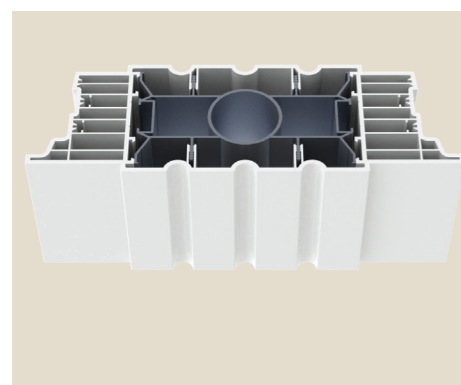
**R235**  
Trickle Vent Cover



**R236**  
Vent Cover Insert



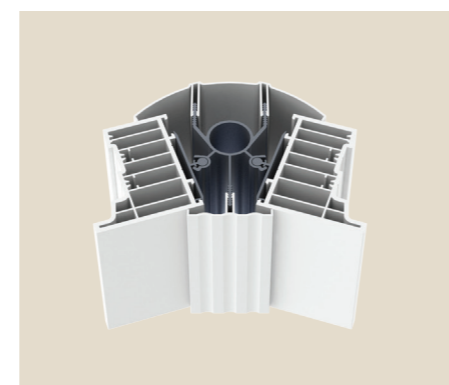
**R78115** 132mm In-Line Coupler  
CPILDT Trim  
Jack 7



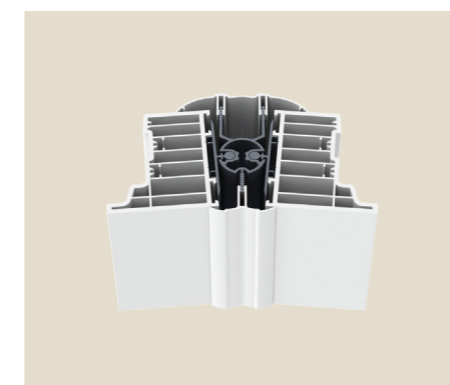
**WWL121** 94°-119° Variable Bay Post  
**482104** Frame Adapter  
DBI, **DBO120** Internal, External Trim  
Jack 2



**R7109** 120°-159° Variable Bay Post  
**482028** Frame Adapter  
PILDT, **DBO120** Internal, External Trim  
Jack 18



**482055** 160°-179° Variable Bay Post  
**482104** Frame Adapter  
DBI, **DBO** Internal, External Trim  
Jack 19



**R103** Mullion Stiffening  
- Use with R001  
**R204** Trim



**R104** Mullion Stiffening  
- Use with R001, R001M  
**R203** Trim

