



vista

the newsletter from The Climatec Group

Now in our 26th Year of successfully supplying quality windows, doors and conservatories

Spring 2019

The weather isn't very spring like for us all at the moment, but at Climatec and Alu-tec we have rolled into the season a brighter and more structured company thanks to the changes in manufacturing procedures and staff operations that were put in place at the end of 2018.

Inside this issue of Vista discover the new REHAU flush fit window, read about a new 'brushed steel' finish for our greenteQ range of hardware plus important information about certificates and labels for our energy rated products. Also read about Alu-tec's latest fabrication project in the form of a large Infinium sliding door!



It's Here!

Hot off the production line at Climatec



REHAU

FRAMING TREASURED MOMENTS
Rio Flush Fit Windows

After a few weeks of teasing us with closed red curtains, REHAU finally announced their new flush sash windows.

Marketed as the Rio Flush Fit Window, Climatec have been aware of this impending product launch since last year. Always ready and waiting, we have now undertaken trial manufacturing of this window and are in a position to offer this as a further flush sash product from Climatec Windows.

See inside for more details of the window and the features available.



 **Climatec**
Group

Manufacturers and suppliers for the window industry

Specialising in UPVC and Aluminium products for the retail and commercial markets

 **Climatec**
Windows & Doors

www.climatec-windows.co.uk
Tel: 01702 613733

 **Alu-tec**
Windows & Doors

www.alu-tec.co.uk
Tel: 01702 899440

INSIDE THIS ISSUE:

REHAU Rio - NEW flush sash offering : Infinium Sliding Door from Alu-tec : Energy Rated Windows - Important Update: New HD Couplers : NEW Enduro Steel hardware finish : Patio Doors and more...

REHAU HAVE UNVEILED THEIR LATEST UPVC WINDOW DESIGN THE RIO FLUSH FIT WINDOW

Although a closely kept secret, Climatec have been putting the wheels in motion behind the scenes so we can be ready to offer the Rio to our customers.

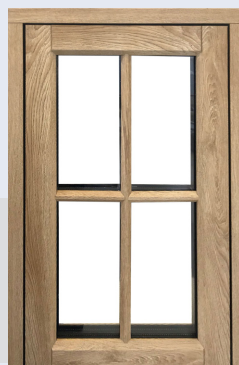
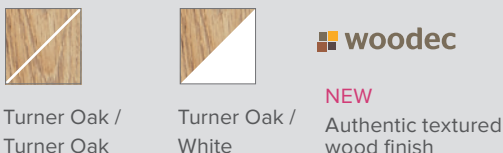
We have production processes in place and by using the existing Total70 chamfered and sculptured profile systems our fabricators are more than well experienced in producing good quality REHAU products. A new milling machine has been purchased so we can create both fully mechanical and fully welded sashes. Due to its design there is no need for glass bonding so frames can be supplied unglazed. Furthermore, by using the same eurogroove positioning as the Total 70 sashes, it allows us to use the full range of window hardware you are used to seeing on your casement windows.

Ten woodgrain foil options make up the colour palette for the Rio, alongside plain white uPVC. All colours will be available as either single sided on white or double sided, giving you 21 colour options from stock (non-standard colours available on request).

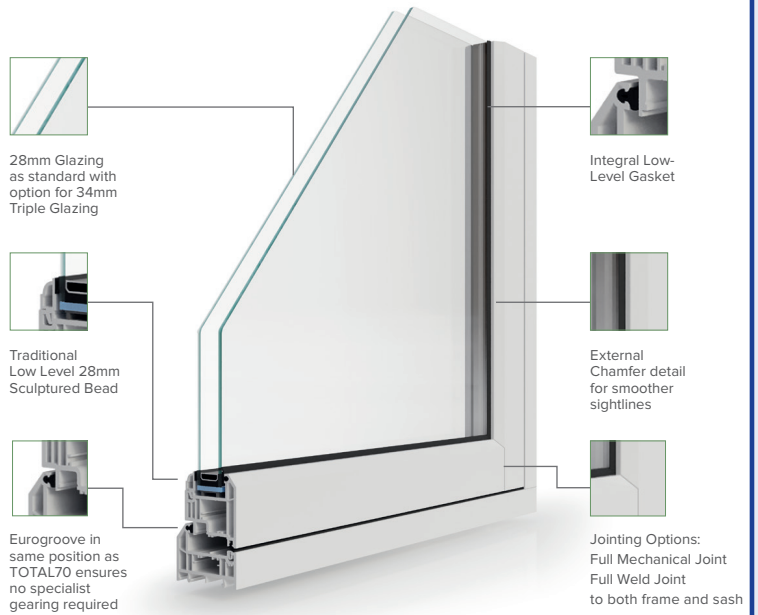
COLOURS AVAILABLE:



EXCLUSIVE TO REHAU!



THE RIO FLUSH FIT WINDOW:



REHAU's brochure for the Rio Flush Fit Window is now available on our website as well as a new order form.

Visit our information centre at www.climatec-windows.co.uk to download.



The world's about to get a whole lot bigger with

THE INFINIUM SLIDING DOOR

As we send this newsletter out, our aluminium fabricators at Alu-tec are fabricating their first Infinium door.

This door system from AluK is marketed as the perfect complement for modern designed new builds, or extensions to properties. The extra slim sightlines, concealed frames and floor to ceiling glazing offers the homeowner a view like no other from the comfort of their home. The vast glass panes creates the illusion of space and brings both the inside and outside areas of the home together.

The Infinium's 21mm central interlock is the thinnest on the market, and the unique beading system means there is no need for glass bonding. The double thermal breaks ensure that unwanted noise is kept out, as well as improving insulation.

Fabricating these doors is a huge task.. literally. The sealed units for this job are themselves massive - at nearly 2.7m x 2.7m per sash and weighing in at 280.57kg with each glass pane being 8mm thick (pictured right). Alu-tec have had to employ their first Robot just to pick the glass up so it can be glazed into the sash.



When we saw the frame above in the factory, we hadn't realised this was just one of the sashes from the Infinium door!

And if the size of these doors aren't impressive enough, the workmanship that goes into fabricating these is! Not only do these doors look fantastic, the Infinium sliders can also be upgraded to include an automatic opening system if the customer so wishes!

These automatic sliding, floor to ceiling glass doors are a first for Alu-tec and we cannot wait to see the photos of the finished product. It's going to look amazing!



2666 * 2631

8MM LOW IRON TGH
22MM BLACK TGI SPACER
8MM CLIMAGUARD A 1 1 TGH

280.57 Kg



- ❖ Fully concealed outer-frame
- ❖ 21mm central interlock
- ❖ Large panels up to 3000mm wide and 3500mm high.
- ❖ Holds up to 400kg panel weight
- ❖ Available in double or triple track
- ❖ Glazing options of 38mm-52mm
- ❖ Floating corner post option for larger opening space
- ❖ Single colour available as standard

ENERGY RATING CERTIFICATES & LABELS

With immediate effect Climatec will no longer be providing Certificates and Climatec branded rainbow labels for glazed, energy rated windows.

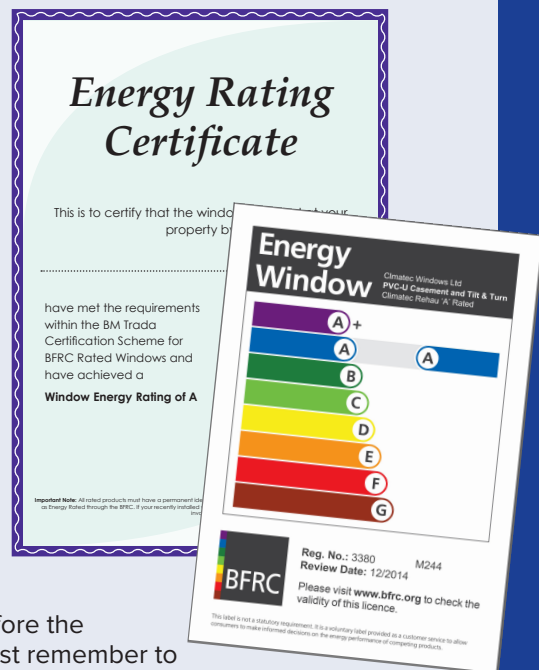
More and more of our customers have registered with FENSA to receive their own branded labels for marketing purposes and as such we have made the decision to not provide Climatec labels to pass onto the homeowner.



DON'T WORRY

Your job will still be processed with Energy Rated products if you have requested them, and our silver permanent marker will be placed on the inside of these frames as normal; these labels are officially the only requirement of the scheme.

Unglazed customers who are already Authorised Retailers of our energy rated products do not receive our labels or certificates, so therefore the ordering process and production procedure will carry on unchanged. Just remember to make a note of your Authorised retailer number on the order form when ordering your windows.



WANT TO REGISTER FOR YOUR OWN LABELS?

All of our customers are entitled to piggy back off Climatec's tested and certified windows. If you are a Certass member, ask to join their Thermal Ratings Register. FENSA provide a FREE service for their members or non-members can join the BFRC scheme for a small fee.

Certass charge a small fee and FENSA provide a free process.

Whether it is FENSA you contact to join the BFRC register or Certass for the Thermal Ratings Register, please be aware that you need to let us know at Climatec that you have received confirmation that you are now on the register. We can then advise the production team so your frames can be made to the correct specification for energy rated frames and we will add you to our database of registered customers.

WHAT DO I NEED TO TELL FENSA / CERTASS?

When emailing / calling, please advise them that you wish to be an Authorised Retailer of Climatec Windows energy rated windows. You can choose which ones you want to have in your portfolio, or just ask for all of them.

For a full list of our energy rated products visit the accreditation page of our website.

CONTACT DETAILS:

FENSA - www.bfrc.org/TradeMain/free-fensa-ratings

Email: EnergyRatings@fensa.org.uk

Telephone: 020 7403 9200

BFRC - www.bfrc.org/TradeMain/installers

Certass - www.certass.co.uk/products-2/

Telephone: 01292 292 095

E-mail membershipsales@certass.co.uk

IMPORTANT NOTE

Once you have received your Authorised Retailer status, you will need to make sure your ordering spec for your energy rated windows is the same as the windows Climatec have had tested. This will be questioned by the Order Processing team if not correct and your windows will be made as U Value compliant.

Your Installation auditors will also be checking that the window installed is made to the correct specification if sold and labelled as 'Energy Rated'. They will also look for the silver permanent mark on the frames too.

Please do not hesitate to contact us if you require any help or have any other questions.



Climatec
Windows & Doors

Tel: 01702 613733
www.climatec-windows.co.uk

Alu-tec
Windows & Doors

Tel: 01702 899440
www.alu-tec.co.uk



NEW FURNITURE FINISH

Our collection of greenteQ window and door furniture has been boosted by the introduction of Enduro Steel, a new 'brushed' finish.

Available for our standard window and door handles, as well as our range of door knockers, this finish also perfectly complements the brushed steel letterplates we offer.

For full details of window and door furniture, the collections and colours we offer, please visit our website's hardware section in the information centre.



SEND US YOUR SNAPS!

We'd love to see your installation photographs!



Alternatively, we can come to you with our trusty camera!

Between Climatec and Alu-tec we produce on average 12-1400 frames per week as well as purchasing composite doors for our customers.

With this in mind, we would love to see these products once installed, as opposed to seeing them on our production bench.

If you have high resolution, good quality images you are happy to send us, we could share via our twitter page, accrediting your company as the installation company. If agreed, we would also like to use these in our literature and on our websites.

Let's see where our aluminium windows and bi-folds end up, and what type of properties those lovely flush sashes are installed in. What about those composite doors? Are they installed in traditional properties primarily or new builds?

If you are happy to send over your installation images, email j.lovet@climatec-windows.co.uk.

Want us to take high resolution images of your favourite installation?

Do you have an installation that showcases special colours, or our niche products that are more than just a plain white window?

If you do, the marketing team are happy to capture some photos for you to keep, as well as benefitting us with images for our own marketing material.

Contact Jayne on the email above to discuss further.

WITHDRAWAL OF KAT PATIO DOORS

With the Deceuninck Slider24 uPVC sliding door being manufactured here at Climatec Windows, and the ability to provide mechanical kit form frames, midrails and letterplate routing, it has been decided to withdraw the KAT patio doors from our portfolio.

The Slider24 patio doors are available in 2, 3 and 4 pane configurations on a durable stainless steel track. There is also the option to have a low threshold for easy access and to comply with building regulations, Part M.

Furthermore these patio doors come with a choice of 26 colour options, including woodgrain foils from Deceuninck's Heritage range.

The Deceuninck Slider24 brochure and dedicated order form can be found on our website - www.climatec-windows.co.uk



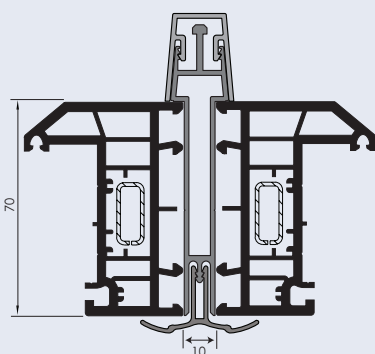
NEW: 10MM COUPLERS FOR REHAU AND CALIBRE

Climatec have added two new couplers from Window Widgets to their current stock; a 10mm heavy duty coupler, and a 10mm heavy duty plus.

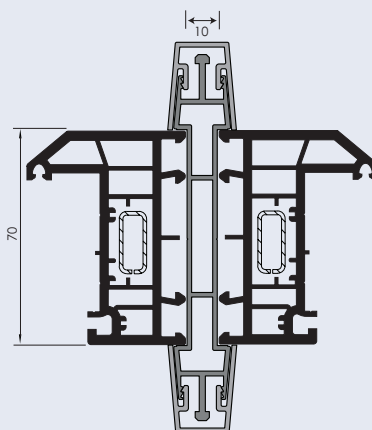
Both are available for use with REHAU and Calibre profiles and as well as coupling doors, they can be used for large window combination screens.

For more details and information on load values, please visit the information centre on our website to download the Window Widgets Frame Couplers and Bay Poles specification sheet.

10MM HEAVY DUTY COUPLER



10MM HEAVY DUTY PLUS COUPLER



We are pleased to announce that The Climatec Group have successfully passed their annual audit from BSI.

Both Climatec Windows and Alu-tec have undergone various testing throughout the year for both production and desktop processes; the desktop audits being assessed twice a year for both companies!

So we will be proudly displaying our BSI kitemarks for another year!



Climatec
Windows & Doors

Tel: 01702 613733
www.climatec-windows.co.uk

Alu-tec
Windows & Doors

Tel: 01702 899440
www.alu-tec.co.uk