

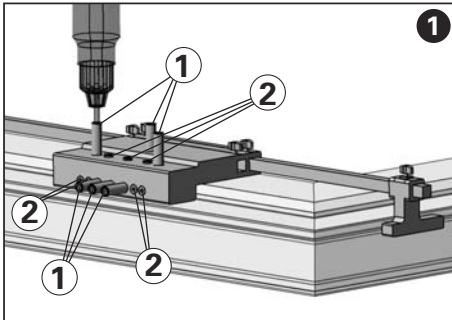


SFS intec

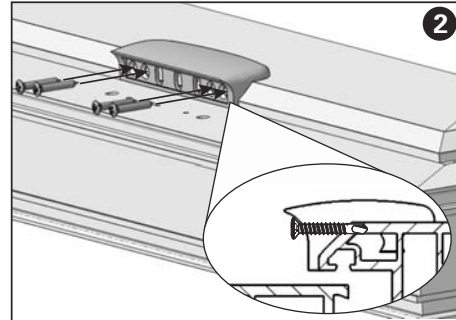
Climatec
Windows & Doors

SFS DYNAMIC 2D DOOR HINGE FOR RESIDENCE DOORS - OPEN IN

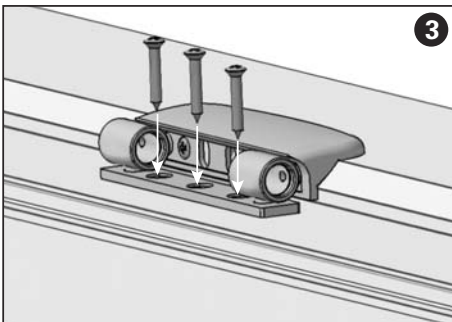
FITTING INSTRUCTIONS



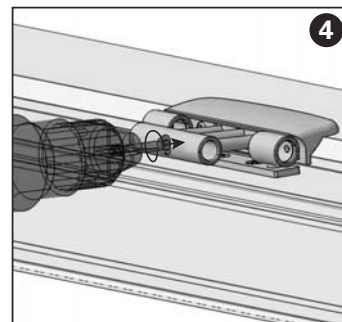
1 Fix the jig in the right position. Drill in correspondence of bushes 1 with a drill bit \varnothing 7,2 mm and in correspondence bushes 2 with a drill bit \varnothing 3,0 mm.



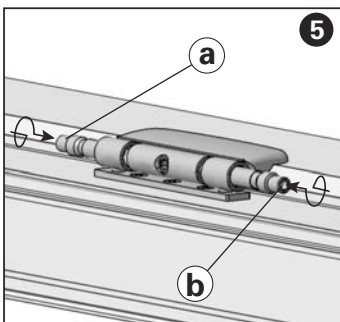
2 Fasten the sash plate with screws M 3,9 x 38 mm.



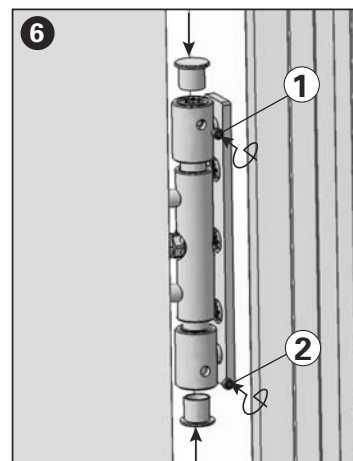
3 Fasten the frame plate with fastener 3,9 x 38 mm. **IMPORTANT:** trim the of the rings towards the plate.



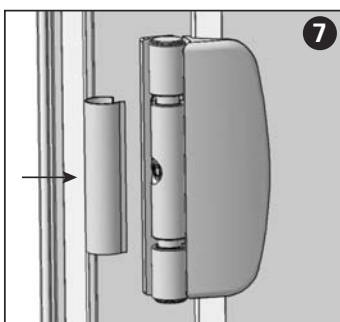
4 Twist in the central ring lining it to the lateral rings.



5 Twist in pin **a** flush fit to the upper ring. Twist in pin **b** till it touches the central ring



6 Fit the caps and fasten the security screws 1 and 2



7 Fit the cover cap on the central ring (sash part)

Continue over for Adjustment instructions

For further assistance, call 01702 613733

www.climatec-windows.co.uk

11-14 Fletchers Square, Temple Farm Industrial Estate, Southend-on-Sea, Essex SS2 5RN

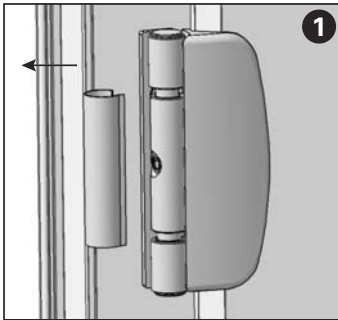


SFS intec

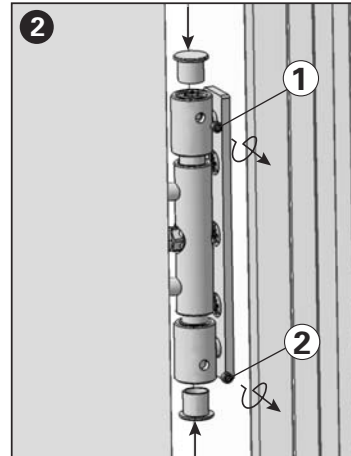
Climatec
Windows & Doors

SFS DYNAMIC 2D DOOR HINGE FOR RESIDENCE DOORS - OPEN IN

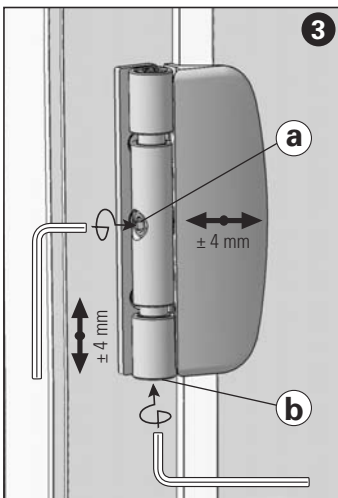
ADJUSTMENT INSTRUCTIONS



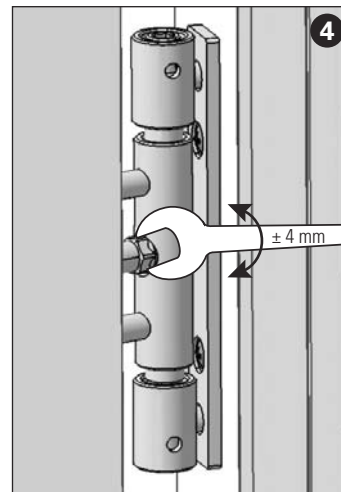
1 Remove the cover cap



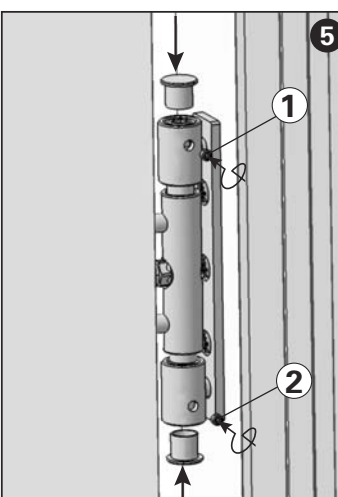
Unscrew the security screws and remove the caps



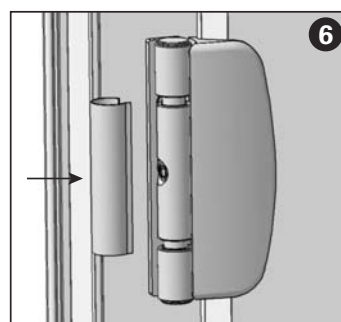
3 **Horizontal adjustment:** adjust by turning screw **a** with a 5 mm Allen Key.
Height adjustment: adjust by turning screw **b** with a 5 mm Allen Key.



In difficult situations it is possible to have the horizontal adjustment from inside turning the hexagonal recess with the special key.



5 Fit the caps and fasten the security screws 1 and 2



6 Fit the cover cap on the central ring (sash part)

For further assistance, call **01702 613733**

www.climatec-windows.co.uk

11-14 Fletchers Square, Temple Farm Industrial Estate, Southend-on-Sea, Essex SS2 5RN