

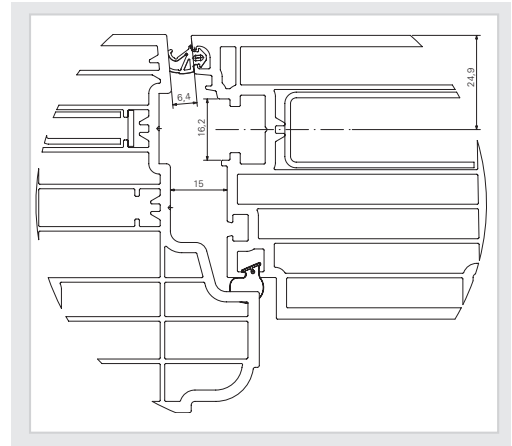
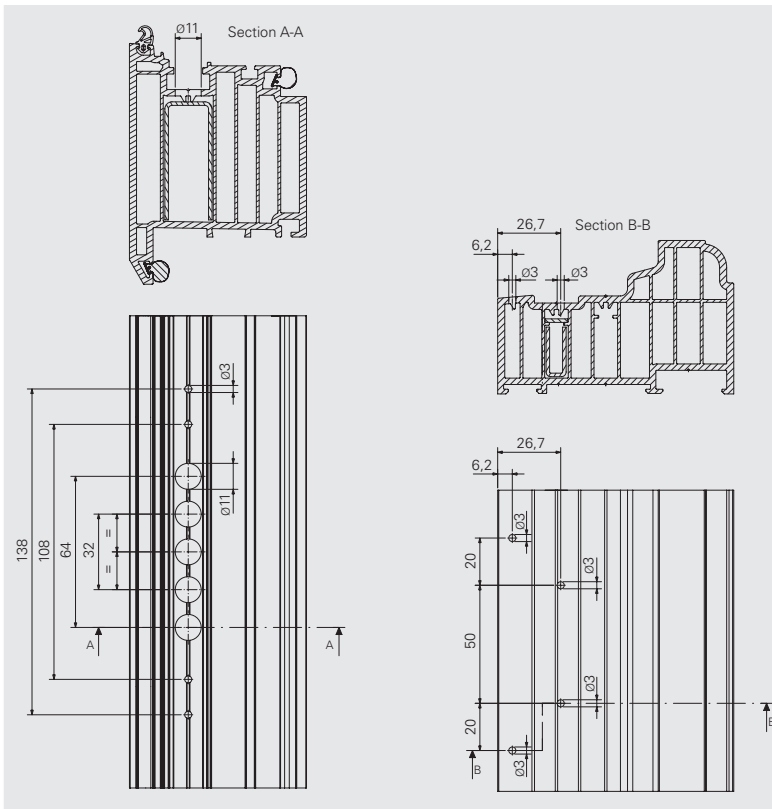
SFS intec

Climatec
Windows & Doors

SFS DYNAMIC 3DF-04 DOOR HINGE - OPEN OUT

Used on Rehau Rio and Residence Open Out Doors

DRILLING SCHEME



Please verify that the space within your door or window allows the fitting of the hinge as shown in the diagram.

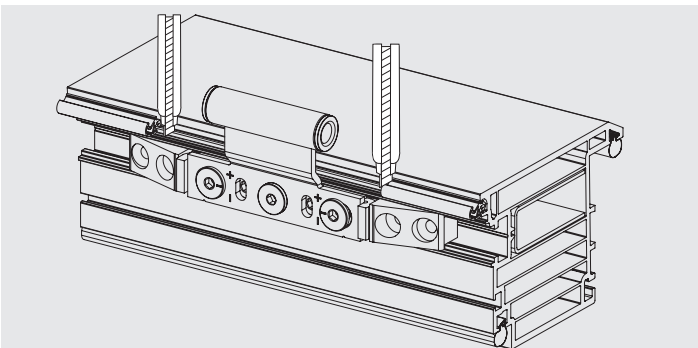
The functionality of the hinge is guaranteed by the correct installation of the door or window.

Drill the holes as shown in the diagram.

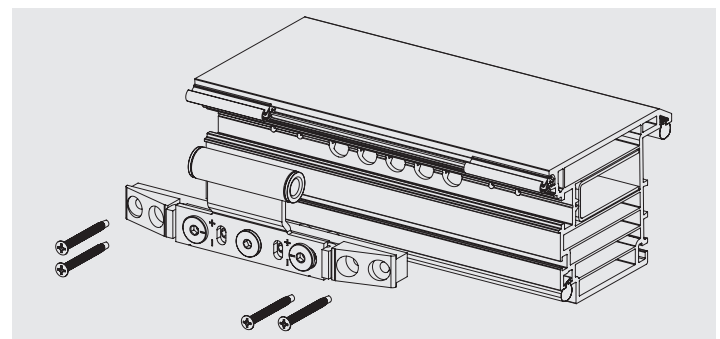
Available:

Jig for separated drilling of casement and frame and DXF drawings for CNC

SASH FITTING INSTRUCTIONS



Remove part of sash gasket



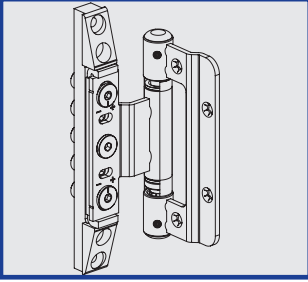
Fasten the sash part into the eurogroove with fasteners suitable for the material of your door

Continue over for Frame Fitting Instructions

For further assistance, call **01702 613733**

www.climatec-windows.co.uk

11-14 Fletchers Square, Temple Farm Industrial Estate, Southend-on-Sea, Essex SS2 5RN



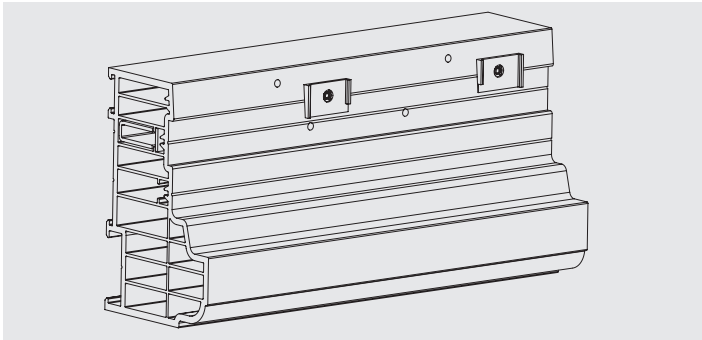
SFS intec

Climatec
Windows & Doors

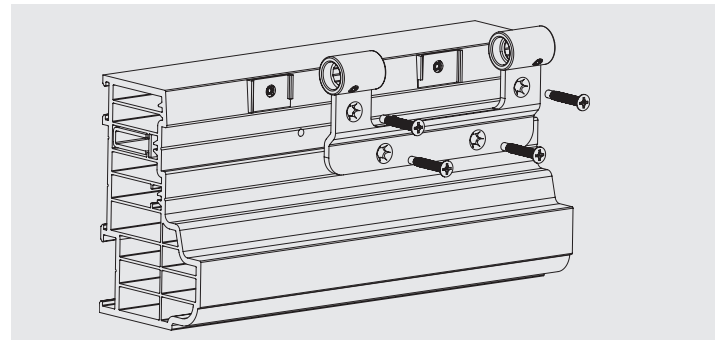
SFS DYNAMIC 3DF-04 DOOR HINGE - OPEN OUT

Used on Rehau Rio and Residence Open Out Doors

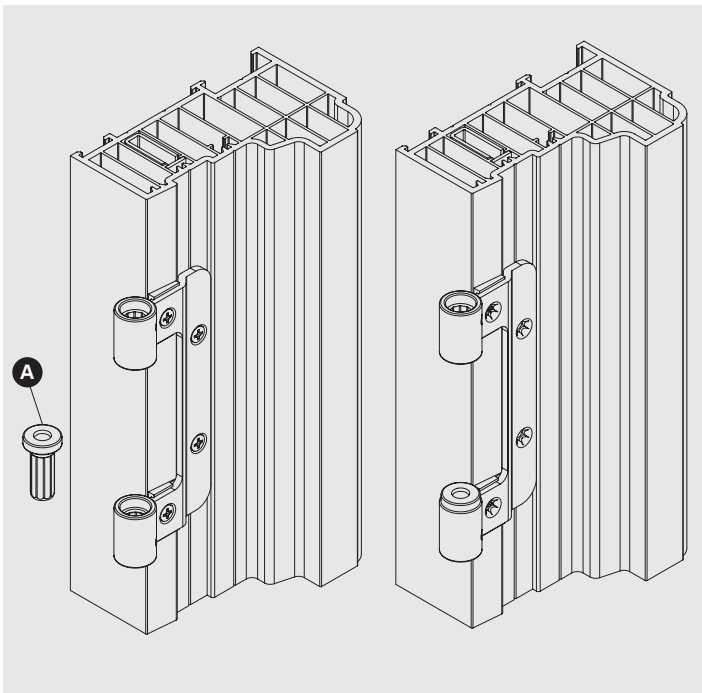
FRAME FITTING INSTRUCTIONS



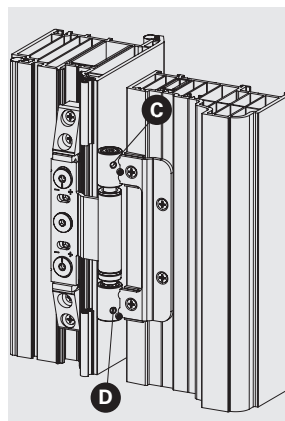
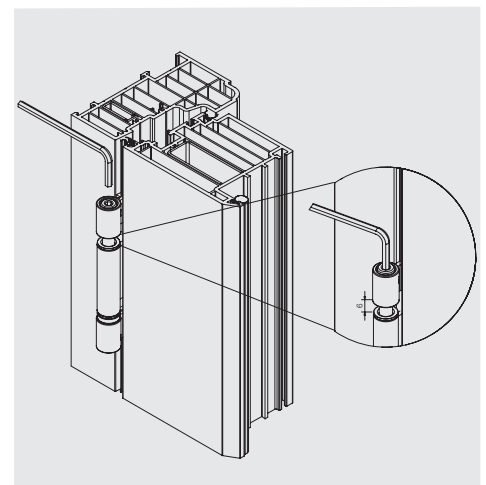
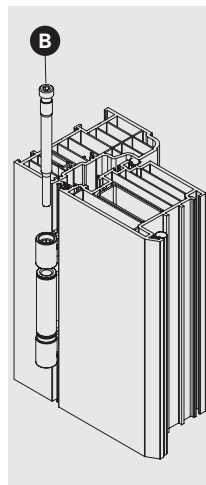
Fit the two frame spacers on the outer holes.



Fasten the frame plate with suitable fasteners for your door



Insert bush **A** into the bottom ring.



Insert the sash into the frame and screw in the pin with a 4mm Allen Key until the measure 6mm is reached. Open the sash and screw in the security screws marked **C** and **D**.

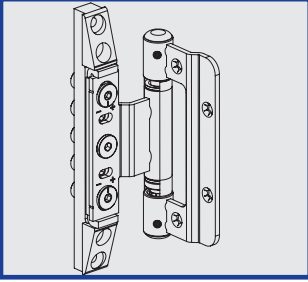
Pin removing:
Unscrew screws **C** and **D** and unscrew the pin.

Continue over for Adjustment Instructions

For further assistance, call **01702 613733**

www.climatec-windows.co.uk

11-14 Fletchers Square, Temple Farm Industrial Estate, Southend-on-Sea, Essex SS2 5RN



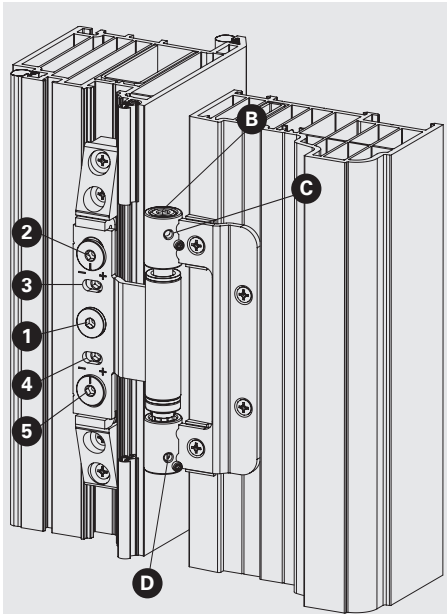
SFS intec

Climatec
Windows & Doors

SFS DYNAMIC 3DF-04 DOOR HINGE - OPEN OUT

Used on Rehau Rio and Residence Open Out Doors

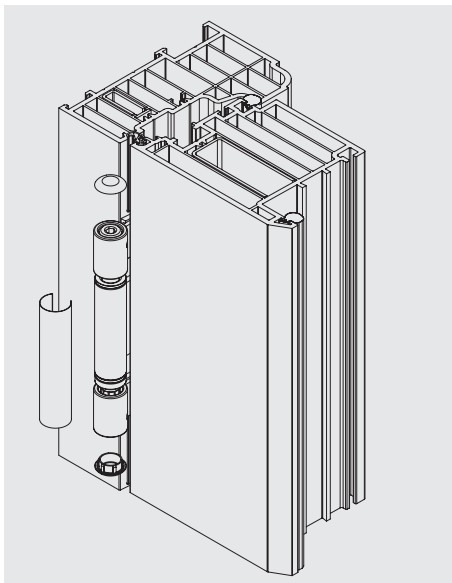
ADJUSTMENT INSTRUCTIONS



Horizontal adjustment: unscrew by three turns, screw **1**. Tighten or loosen alternately screws **3** and **4** with a 4mm Allen key. Tighten screw **1**. Adjustment ± 3 mm.

Gasket pressure adjustment: loosen the screw marked **1** and turn the screws marked **2** and **3** alternately to have more or less gasket pressure following the signs +/- . Adjustment ± 2 mm.

Height: loosen the screws marked **C** and **D**. Turn the pin **B** with a 4mm Allen key as shown in figure. Adjustment $-2/+6$ mm.



Insert caps and cover as shown in figure.

For further assistance, call **01702 613733**

www.climatec-windows.co.uk

11-14 Fletchers Square, Temple Farm Industrial Estate, Southend-on-Sea, Essex SS2 5RN