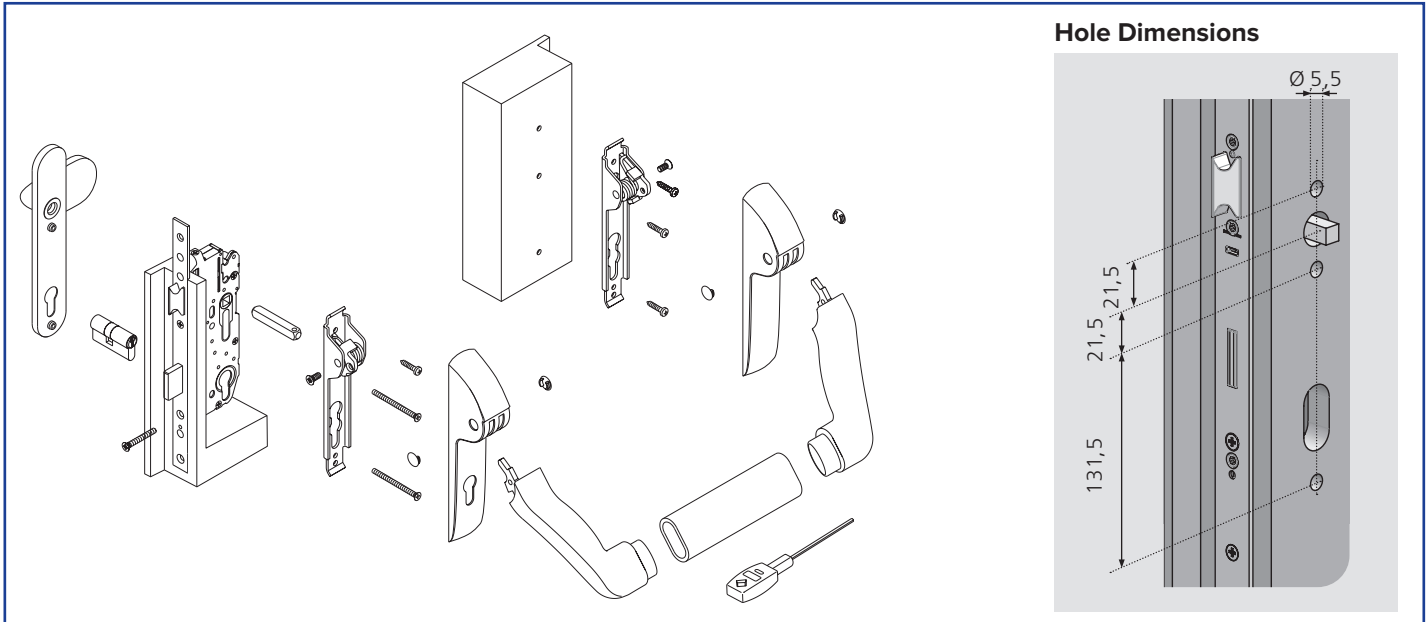
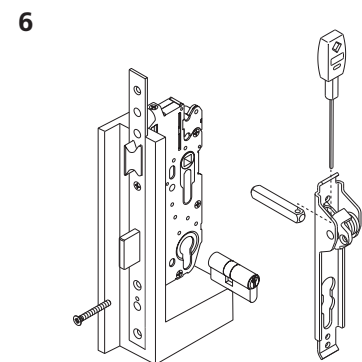
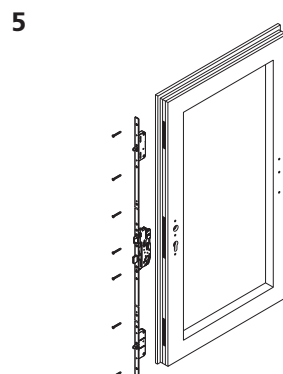
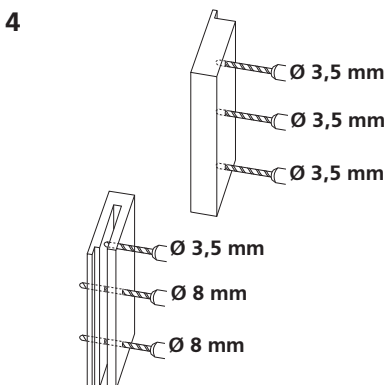
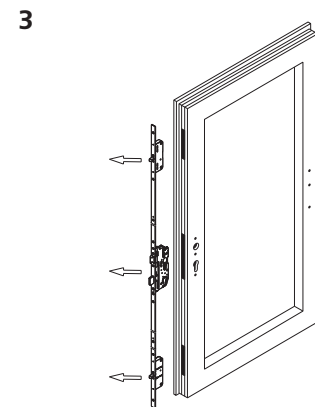
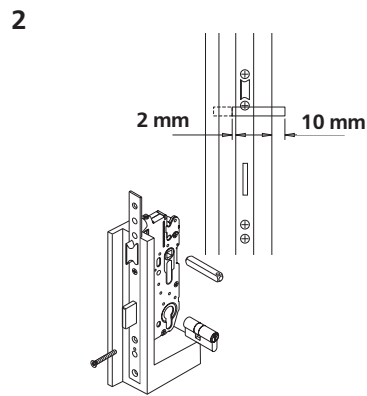
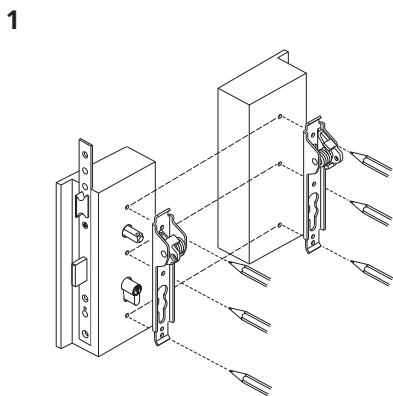


## FUHR PANIC PUSH BARS



## INSTALLATION INSTRUCTIONS



more overleaf./

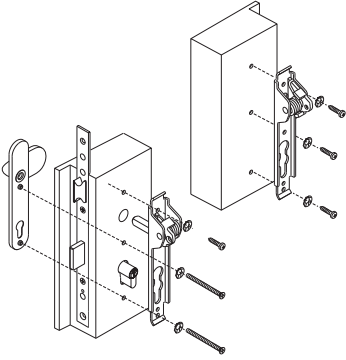
For further assistance, call 01702 613733

[www.climatec-windows.co.uk](http://www.climatec-windows.co.uk)

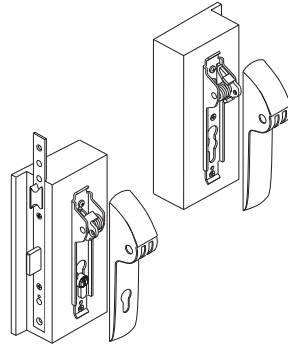
11-14 Fletchers Square, Temple Farm Industrial Estate, Southend-on-Sea, Essex SS2 5RN

## INSTALLATION INSTRUCTIONS continued.

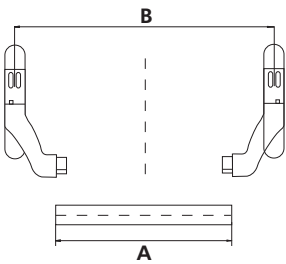
7



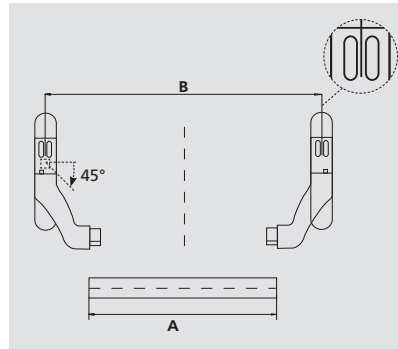
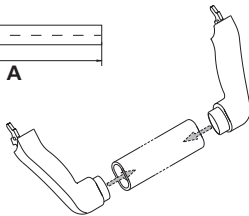
8



9a

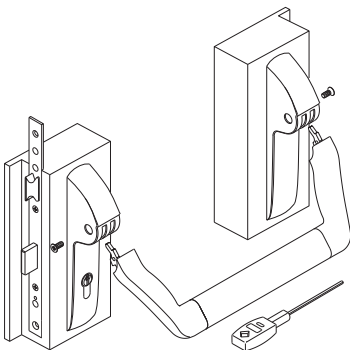


9b

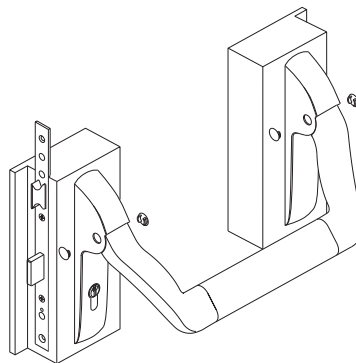


Shortening the Push Bar  
Length -  $A = B - 112\text{mm}$

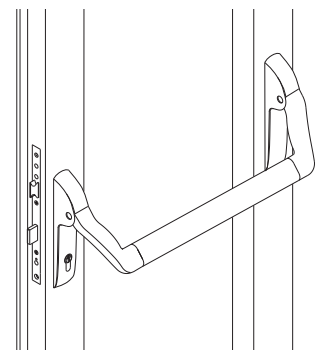
10



11



12



For further assistance, call **01702 613733**

[www.climatec-windows.co.uk](http://www.climatec-windows.co.uk)

11-14 Fletchers Square, Temple Farm Industrial Estate, Southend-on-Sea, Essex SS2 5RN