

Patio Installation V1.0

For general advice please refer to the latest revision of BS 8213-4 Code of practice for the installation of windows and external doorsets.

Survey

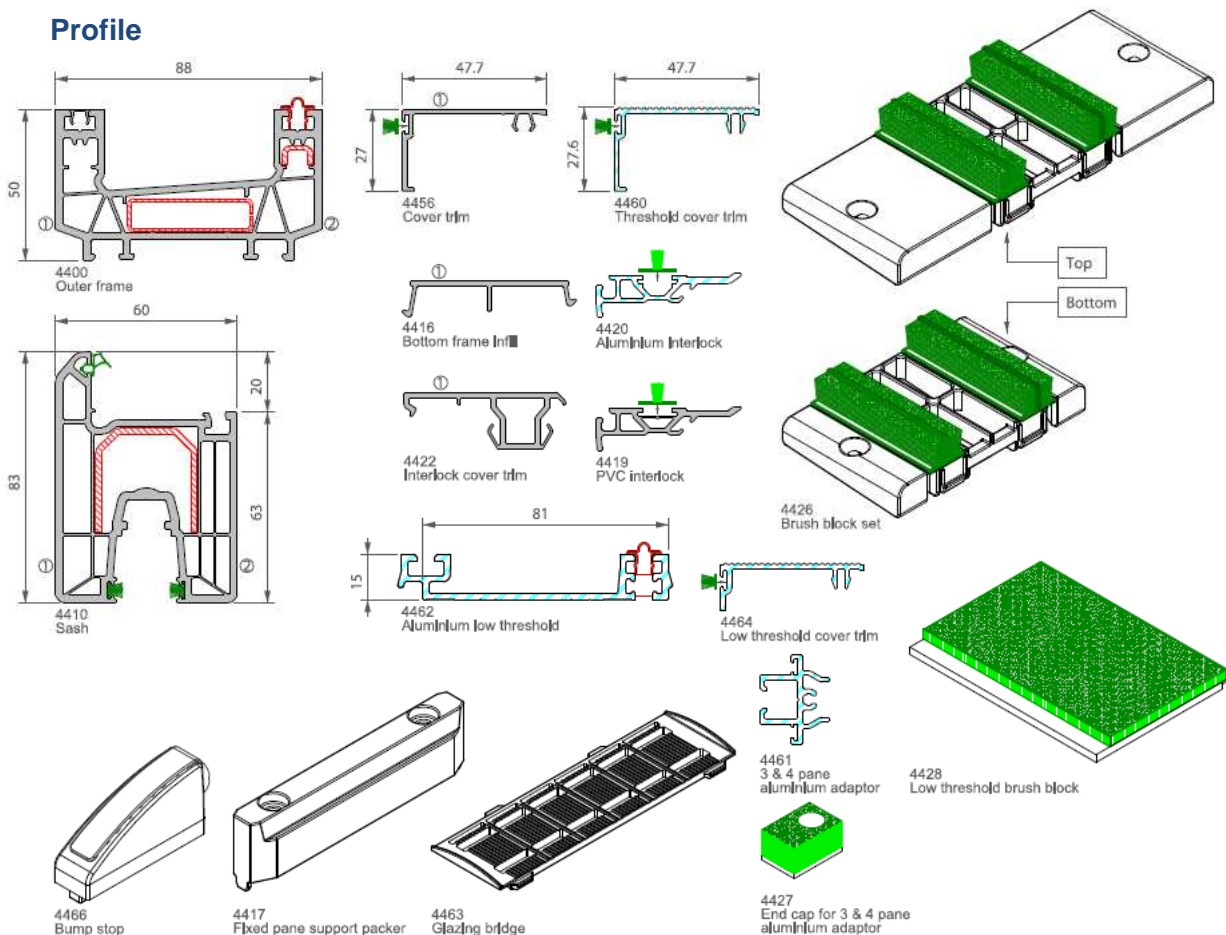
Please refer to the aforementioned code of practice document concerning the measurement of structural openings. For guidance the following tolerances should always be applied:

Product Type	Overall frame width deduction		Overall frame height deduction
	≤ 3.0m	≥ 3.0m ≤ 6.0m	≥ 2.5m
Light coloured door	10mm	15mm	10mm
Dark coloured door	15mm	22mm	15mm

Light colours:
 003 white
 019 Warm White
 080 Heritage White
 081 Ice Cream
 096 Cream

Dark colours:
 Any not referenced

Profile



Building a sustainable home

Deceuninck Ltd

Unit 2, Stanier Road • Porte Marsh Industrial Estate -Calne -Wiltshire –SN11 9PX
 T +44 1249 816969 • F +44 1249 815234

deceuninck.ltd@deceuninck.com • www.deceuninck.co.uk

Frame Installation

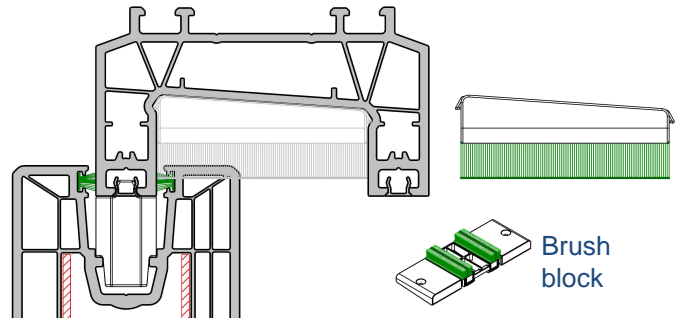
Inspect replacement patio for damage and check size prior to removing the existing frame.

Check the opening is square and that any add-ons have been taken into consideration

Remove top brush block.

Adjust roller to lowest position.

From the bottom carefully lift the sliding sash up and away from the frame.



Run silicone along the inside of cill upstand, position against the frame and screw together at 300mm centres.

Position frame square and plumb into the opening, head and cill must be level.

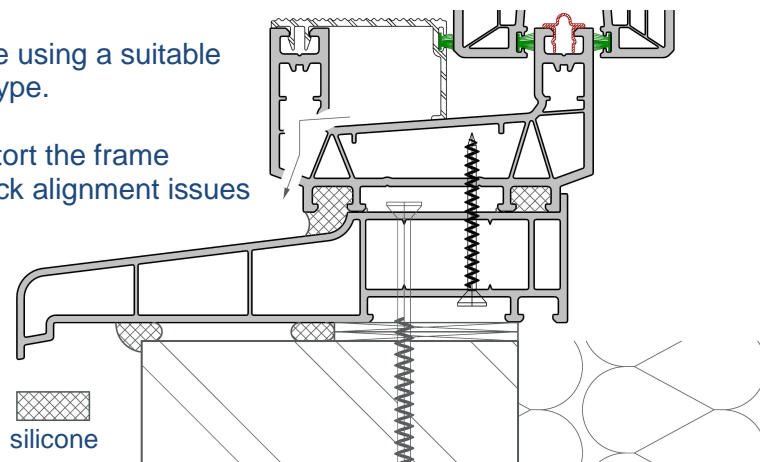
Pack under the cill every 300mm, ensure any cavity or void below the cill is filled.

Fix on all four sides where possible using a suitable fixing to suit the building material type.

Over tightening the screws will distort the frame causing potential locking or interlock alignment issues

Fix between 150mm and 250mm from the corners and again at centres no greater than 600mm.

Two fixings minimum per side.



Re-fit the sliding sash and top brush block.

Insert the glazing packers ensuring they don't obstruct drainage slots.

Fit the top and bottom glazing beads first, ensure the bottom beads are sealed at both ends, then fit the vertical beads into position.

Check the sliding sash frame cover is equal at head and cill, balance any discrepancy by adjusting the wheels.

Check the sash slides freely.

Finally check the locking system is operating correctly before wiping down the profile with a clean soft cloth and warm soapy water.



Building a sustainable home

Deceuninck Ltd

Unit 2, Stanier Road • Porte Marsh Industrial Estate -Calne -Wiltshire -SN11 9PX

T +44 1249 816969 • F +44 1249 815234

deceuninck.ltd@deceuninck.com • www.deceuninck.co.uk