



## STAINLESS STEEL PULL HANDLES

### Inside:

- Stainless Steel Pull Handles
- Blu™ Stainless Steel Pull Handles from Coastal Group

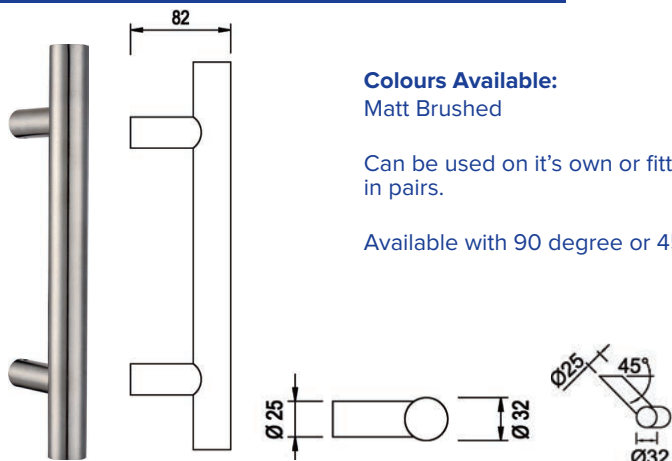
**For further assistance, call 01702 613733**

**[www.climatec-windows.co.uk](http://www.climatec-windows.co.uk)**

11-14 Fletchers Square, Temple Farm Industrial Estate, Southend-on-Sea, Essex SS2 5RN

## STAINLESS STEEL PULL HANDLES

### 45° & 90° STAINLESS STEEL BAR PULL HANDLE



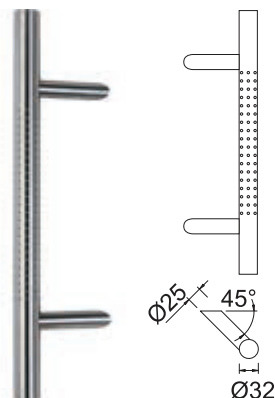
**Colours Available:**  
Matt Brushed

Can be used on it's own or fitted back to back in pairs.

Available with 90 degree or 45 degree legs

| Overall Length | Fixing Centres: |
|----------------|-----------------|
| 330mm          | 210mm           |
| 400mm          | 300mm           |
| 500mm          | 300mm           |
| 600mm          | 400mm           |
| 800mm          | 560mm           |
| 1000mm         | 700mm           |
| 1200mm         | 900mm           |
| 1400mm         | 1000mm          |
| 1600mm         | 1200mm          |
| 1800mm         | 1300mm          |

### 45° DECORATIVE BAR PULL HANDLE

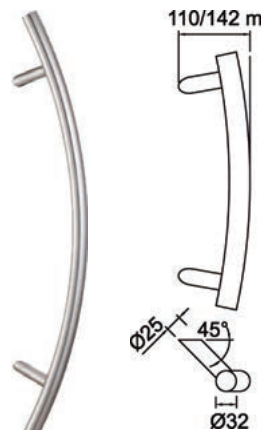


**Colours Available:**  
Matt Brushed

Can be used on its own or fixed back to back as pairs

| Overall Length | Fixing Centres: |
|----------------|-----------------|
| 500mm          | 300mm           |

### 45° CURVED BAR PULL HANDLE



**Colours Available:**  
Matt Brushed

Can be used on its own or fixed back to back as pairs

| Overall Length | Fixing Centres: |
|----------------|-----------------|
| 400mm          | 300mm           |
| 800mm          | 695mm           |

### 90° COASTLINE OVAL PROFILE - STRAIGHT



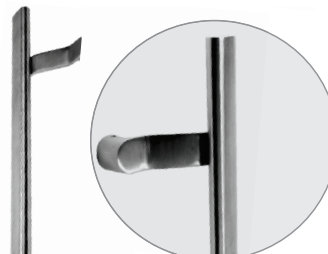
**Colours Available:**  
Matt Brushed

45mm x 26mm oval profile

Can be used on is own or back to back in pairs

| Overall Length | Fixing Centres: |
|----------------|-----------------|
| 400mm          | 300mm           |
| 800mm          | 560mm           |
| 1200mm         | 900mm           |
| 1600mm         | 1200mm          |

### 90° COASTLINE OVAL PROFILE - ANGLED



**Colours Available:**  
Matt Brushed

45mm x 26mm oval profile

Can be used on is own or back to back in pairs

| Overall Length | Fixing Centres: |
|----------------|-----------------|
| 400mm          | 300mm           |
| 800mm          | 560mm           |
| 1200mm         | 900mm           |
| 1600mm         | 1200mm          |

For further assistance, call 01702 613733

[www.climatec-windows.co.uk](http://www.climatec-windows.co.uk)

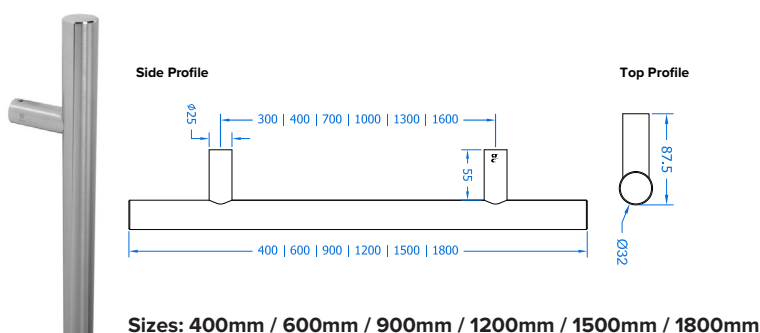
11-14 Fletchers Square, Temple Farm Industrial Estate, Southend-on-Sea, Essex SS2 5RN

## BLU™ STAINLESS STEEL PULL HANDLES

- Finest quality inline and offset T' bar pull handles
- Heavy duty 1.5mm stainless steel wall thickness for a superior feel & increased tensile strength
- Handle ends are CNC machined for a precision engineered consistent finish
- Part of a suited range of door & window hardware
- Designed with no middle stem to avoid conflicting with locking mechanism
- Manufactured from 316 Marine Grade Stainless Steel
- Ideal for use where corrosion levels are high, such as city or coastal environments and in acidic timber

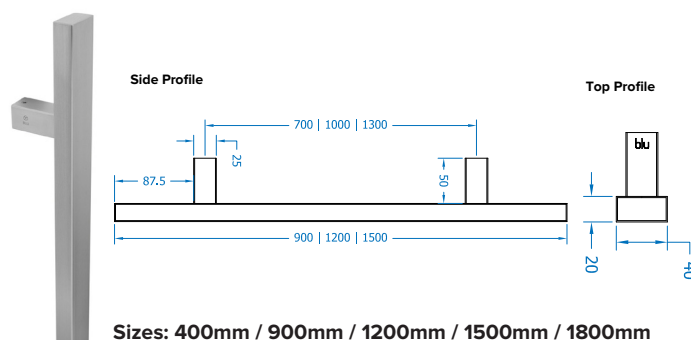
### Inline Round 'T' Bar Pull Handle - HAB2

- Available in Satin Stainless Steel and Matt Black



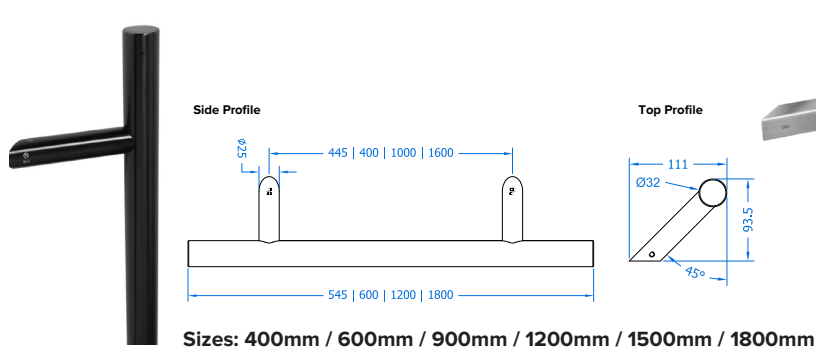
### Inline Rectangular 'T' Bar Pull Handle - HAB15

- Available in Satin Stainless Steel and Matt Black



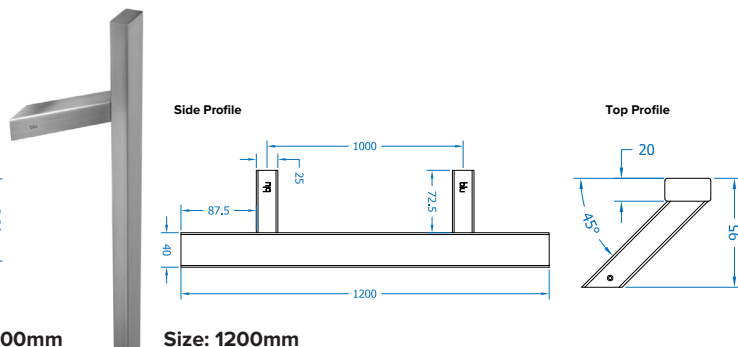
### Offset Round 'T' Bar Pull Handle - HAB6

- Available in Satin Stainless Steel, Satin Brass and Matt Black



### Offset Rectangular 'T' Bar Pull Handle - HAB7

- Available in Satin Stainless Steel and Matt Black



### Offset Rectangular 'T' Bar Pull Handle - HAB77

- Available in Satin Stainless Steel, Satin Brass and Matt Black

