



STAINLESS STEEL PULL HANDLES

Inside:

- Stainless Steel Pull Handles
- Blu™ Stainless Steel Pull Handles from Coastal Group

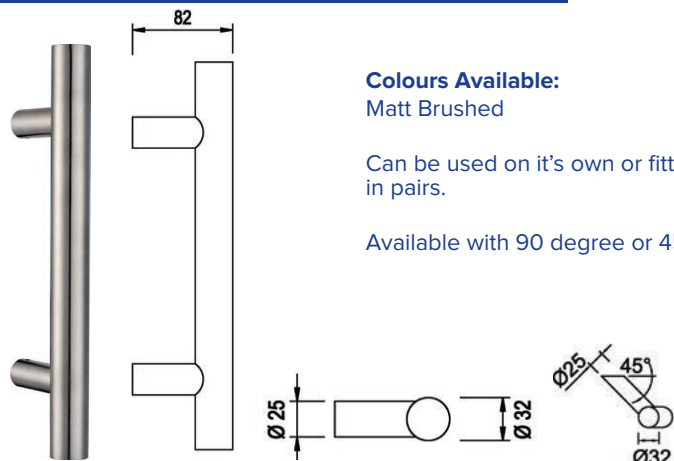
For further assistance, call 01702 613733

www.climatec-windows.co.uk

11-14 Fletchers Square, Temple Farm Industrial Estate, Southend-on-Sea, Essex SS2 5RN

STAINLESS STEEL PULL HANDLES

45° & 90° STAINLESS STEEL BAR PULL HANDLE



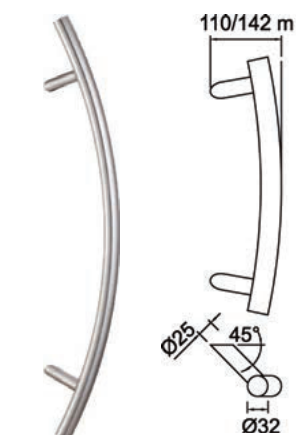
Colours Available:
Matt Brushed

Can be used on it's own or fitted back to back in pairs.

Available with 90 degree or 45 degree legs

Overall Length	Fixing Centres:
330mm	210mm
400mm	300mm
500mm	300mm
600mm	400mm
800mm	560mm
1000mm	700mm
1200mm	900mm
1400mm	1000mm
1600mm	1200mm
1800mm	1300mm

45° CURVED BAR PULL HANDLE



Colours Available:
Matt Brushed

Can be used on its own or fixed back to back as pairs

Overall Length	Fixing Centres:
400mm	300mm
800mm	695mm

90° COASTLINE OVAL PROFILE - STRAIGHT



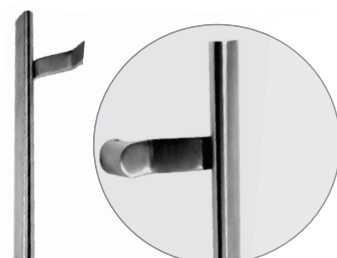
Colours Available:
Matt Brushed

45mm x 26mm oval profile

Can be used on is own or back to back in pairs

Overall Length	Fixing Centres:
400mm	300mm
800mm	560mm
1200mm	900mm
1600mm	1200mm

90° COASTLINE OVAL PROFILE - ANGLED



Colours Available:
Matt Brushed

45mm x 26mm oval profile

Can be used on is own or back to back in pairs

Overall Length	Fixing Centres:
400mm	300mm
800mm	560mm
1200mm	900mm
1600mm	1200mm

For further assistance, call 01702 613733

www.climatec-windows.co.uk

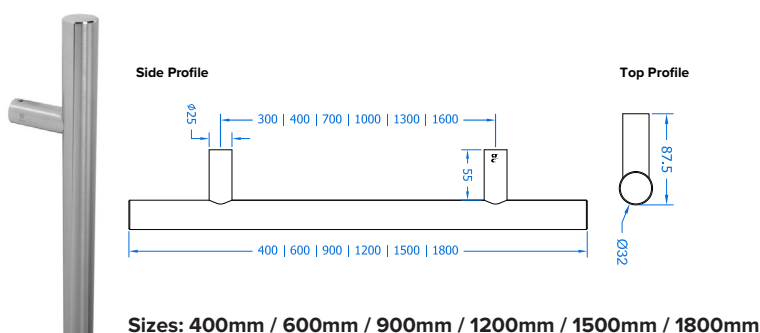
11-14 Fletchers Square, Temple Farm Industrial Estate, Southend-on-Sea, Essex SS2 5RN

BLU™ STAINLESS STEEL PULL HANDLES

- Finest quality inline and offset T' bar pull handles
- Heavy duty 1.5mm stainless steel wall thickness for a superior feel & increased tensile strength
- Handle ends are CNC machined for a precision engineered consistent finish
- Part of a suited range of door & window hardware
- Designed with no middle stem to avoid conflicting with locking mechanism
- Manufactured from 316 Marine Grade Stainless Steel
- Ideal for use where corrosion levels are high, such as city or coastal environments and in acidic timber

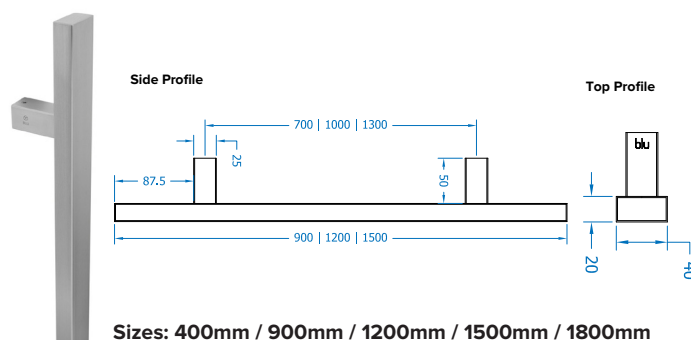
Inline Round 'T' Bar Pull Handle - HAB2

- Available in Satin Stainless Steel and Matt Black



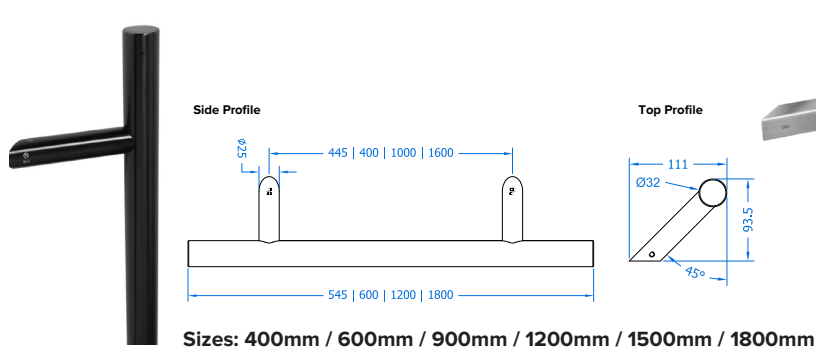
Inline Rectangular 'T' Bar Pull Handle - HAB15

- Available in Satin Stainless Steel and Matt Black



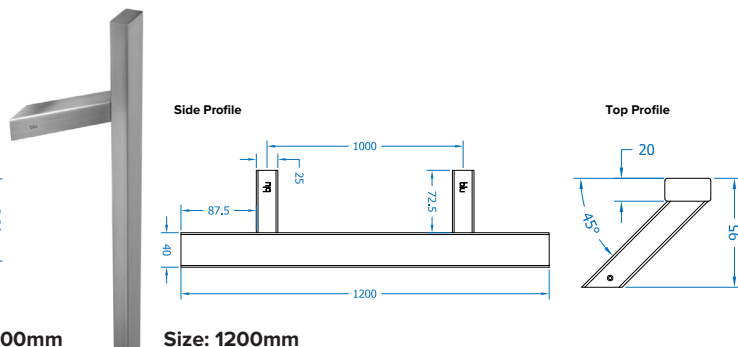
Offset Round 'T' Bar Pull Handle - HAB6

- Available in Satin Stainless Steel, Satin Brass and Matt Black



Offset Rectangular 'T' Bar Pull Handle - HAB7

- Available in Satin Stainless Steel and Matt Black



Offset Rectangular 'T' Bar Pull Handle - HAB77

- Available in Satin Stainless Steel, Satin Brass and Matt Black

