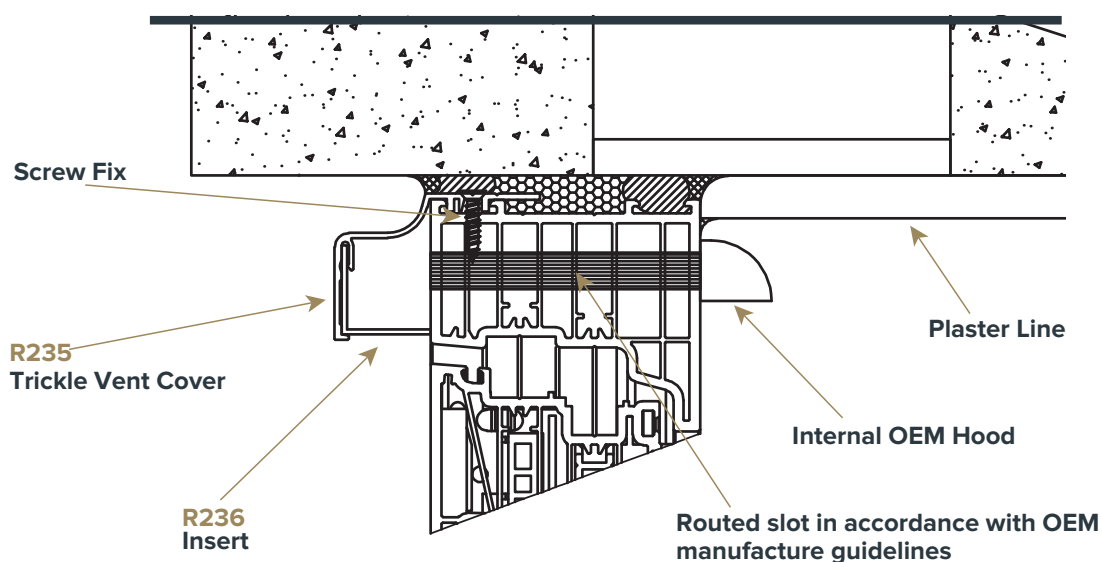


INSTALLATION INSTRUCTIONS

- CONCEALED OVERHEAD VENT COVER



RESIDENCE COLLECTION - R7 & R9



FITTING

- Trickle vent covers must be fitted to the frame prior to installation into the rebate.
- Trickle vent should be screw fixed to frame 50mm from each end and every 500mm thereafter.
- The external trickle vent cover must be fitted to a minimum of the full length of the frame. Where installation is known, and possible, cut the vent cover for wall to wall installation or the full width of the element.
- The ends of the trickle vent cover need to be treated with a clear anti-corrosion inhibitor (eg Hammerite paint) prior to installation.
- To reduce air leakage it is recommended to seal horizontal members of the frame where trickle vents are applied with butyl tape.

SPECIAL NOTE If you are installing the trickle vent on a bay window, please ensure all ends are mitre cut. This will allow for a smooth finish across the whole bay window.

TESTING

- Tested in accordance with BS EN 13141-1
- Patent pending: GB2305143.6
- Design pending: GB6274085, GB6274086, GB6274087, GB6274088

For further assistance, call 01702 613733

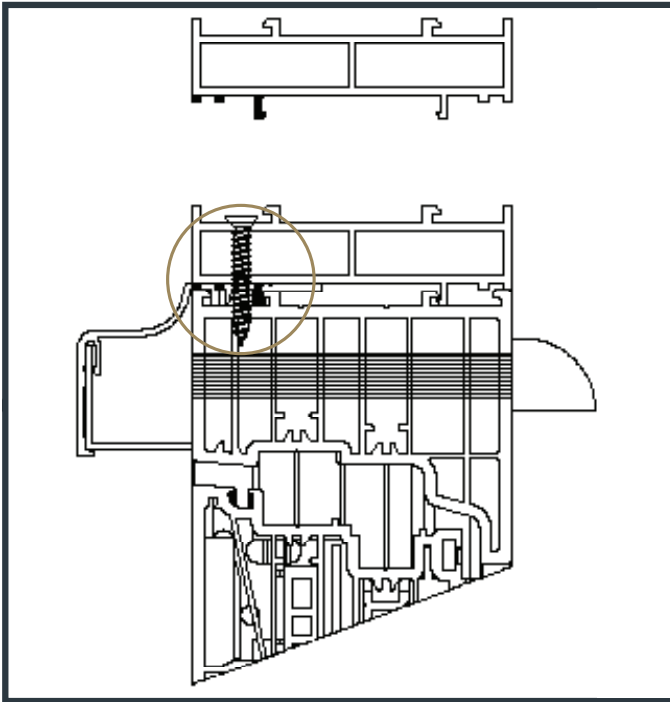
www.climatec-windows.co.uk

11-14 Fletchers Square, Temple Farm Industrial Estate, Southend-on-Sea, Essex SS2 5RN

INSTALLATION INSTRUCTIONS - CONCEALED OVERHEAD VENT COVER



FIXING WITH ADD-ON



STEP 1

Remove details from add-on profile as indicated, flush with bottom of add-on profile.

STEP 2

Pre-drill screw fixing through add-on profile and vent cover.

STEP 3

Fix add-on profile using minimum 30mm long screw.

For further assistance, call 01702 613733

www.climatec-windows.co.uk

11-14 Fletchers Square, Temple Farm Industrial Estate, Southend-on-Sea, Essex SS2 5RN