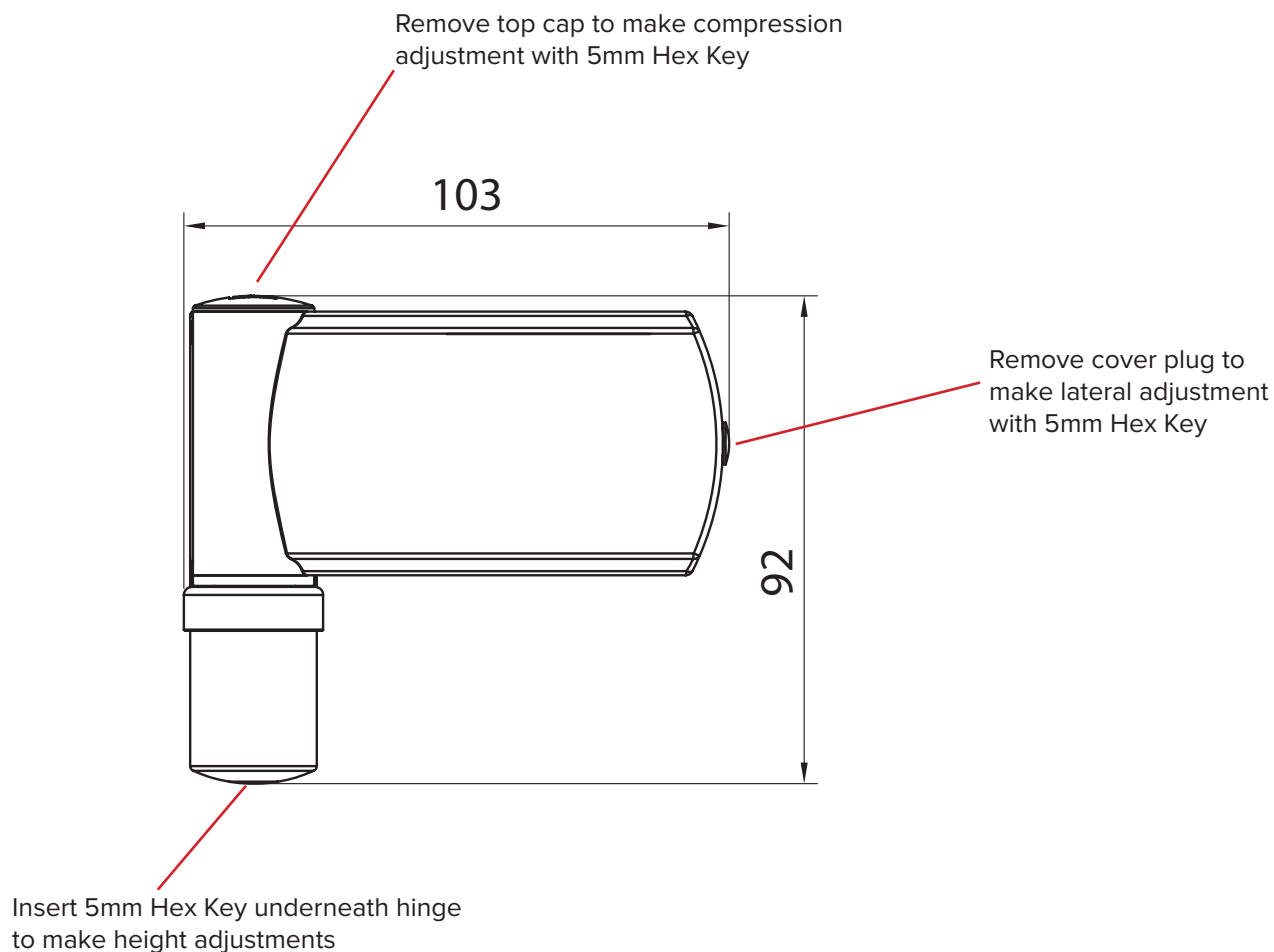




GREENTEQ SIGMA FLAG HINGE



Adjustment is carried out in three directions with a standard 5mm Allen key.

Lateral adjustment of +/-5mm is available, along with +/- 0.75mm for compression.

An additional **compression adjustment** of +/- 0.75mm can be achieved by rotating the pin bush during assembly.

Height adjustment of +/-1mm is possible, whilst any gap between sash and frame parts is hidden by the gap cover.

For further assistance, call 01702 613733

www.climatec-windows.co.uk

11-14 Fletchers Square, Temple Farm Industrial Estate, Southend-on-Sea, Essex SS2 5RN