

**Engineering progress
Enhancing lives**

SLINOVA®

Technical information
Installation Instructions



Contents

1.1	Preparation	3
1.2	Installation	4
1.3	Mechanically jointed frame	5
1.4	Glazing and finishing	6
1.5	Troubleshooting	7

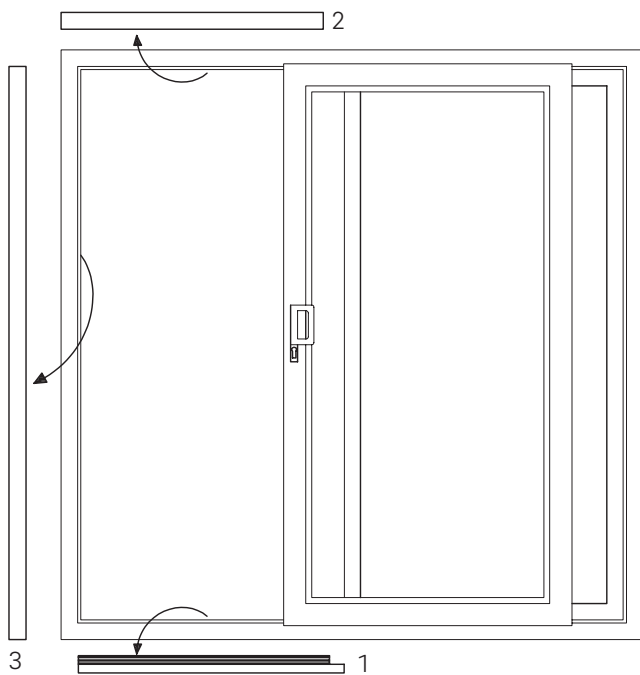
1.1 Preparation

Always check the aperture size before removing existing products!

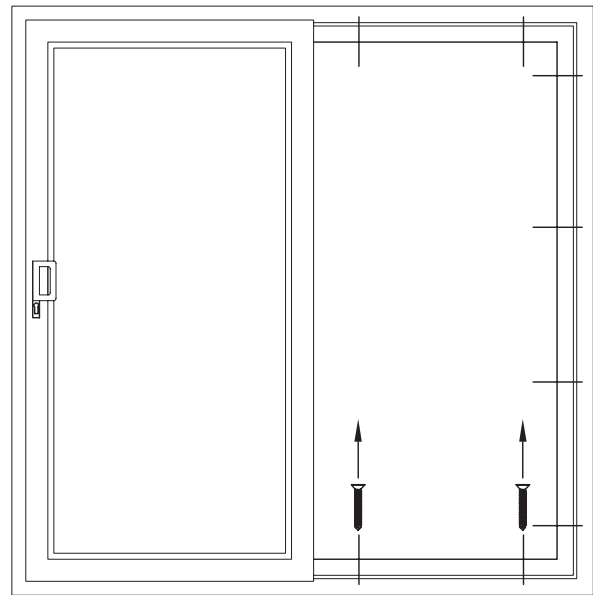
Check the door size and that all components that were specified are present and correct.

Remove the existing product and ensure that the opening is free from screws, nails and any sealants. Any repairs required should be carried out in accordance with the relevant standards and building regulations. Any electrical or specialist items eg, telephone cables, in the aperture should be routed so as to not require to be fitted through the frame.

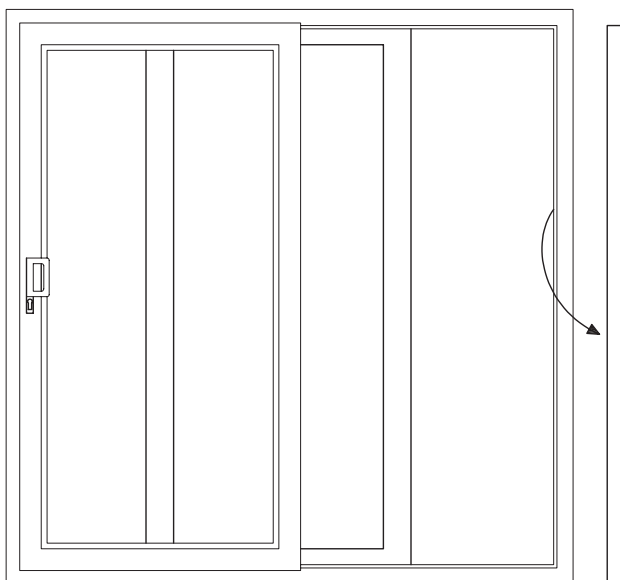
The requirement for lintels or load transferring structure should be established and installed prior to fitting the door.



1. Remove the cover profiles from the sliding sash side, starting with the aluminium tread plate. It may be necessary to remove the handle and bump stops to enable the door to slide far enough back for easier removal.



2. Remove the screws securing the fixed sash to allow it to slide across.

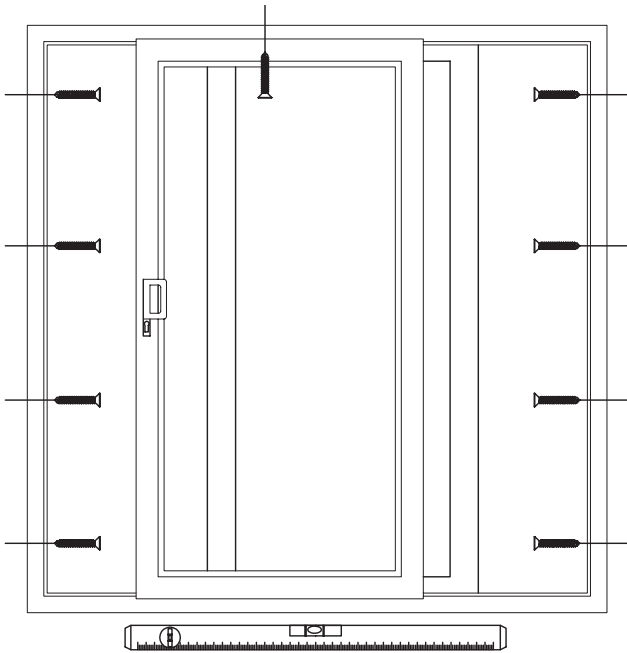


3. The vertical cover profile can then be removed to allow for fixing.

If fitting a cill, run a bead of silicone along the back edge upstand and screw fix to the frame. 8mm packers can be used to avoid the cill from tilting on the door.

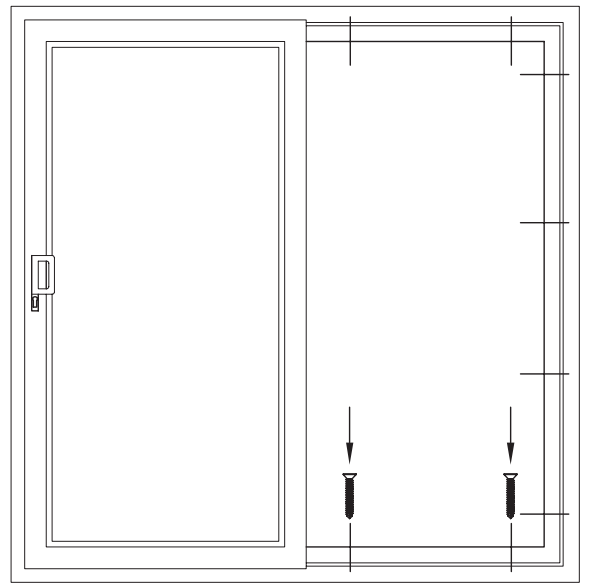
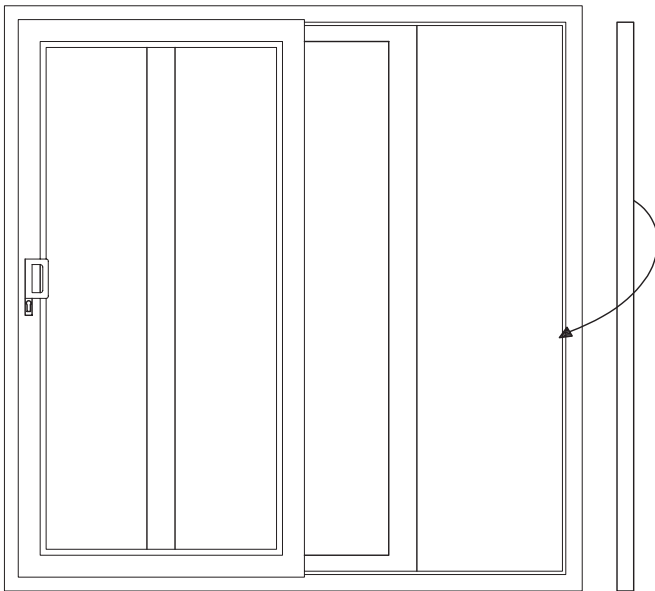
Offer the complete door into the opening, pack appropriately at the head jambs and sill to ensure that the door is completely square, plumb and level. Packers should be placed adjacent to the fixing screws to avoid any distortion of the frame. Also ensure that the frame does not twist, especially when using the triple track frame, as this may result in operational problems.

1.2 Installation



4. Fix the door using appropriate fixings. Corner fixings should be between 150mm and 250mm from the external corner. Intermediate fixings should be at centres no greater than 600mm. Screws should be fixed into the brickwork, not the mortar.

Ensure that the door operates correctly and that all locking mechanisms are working as expected.

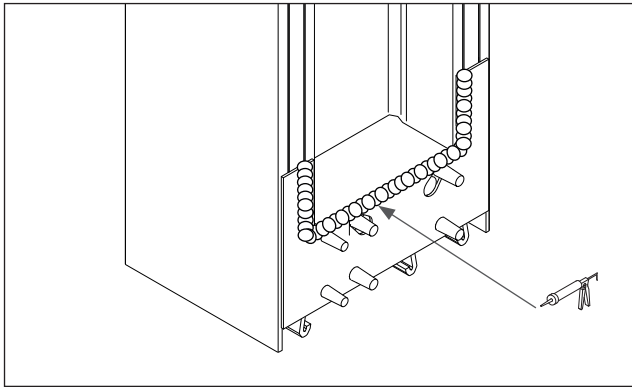


5. Re-clip the trims into the fixed side frame, slide the fixed sash back into position and secure with the fixing screws.

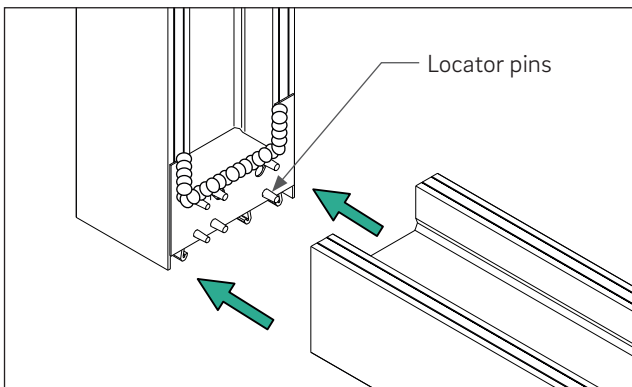
1.3 Mechanically jointed frame

In most cases the frame will be assembled with the mechanical joint locked in position by the appropriate fixings. If the frame is supplied in "Kit form" please use the following instructions.

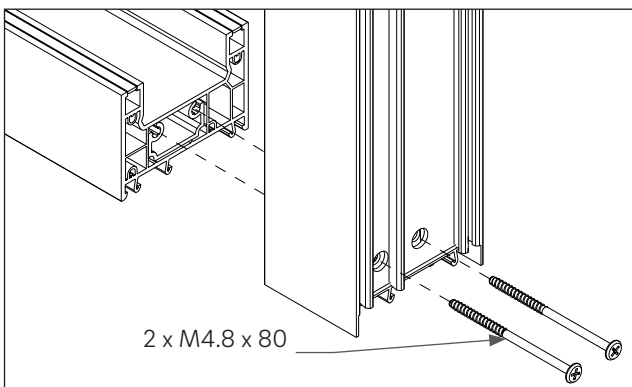
i View during vertical installation of the mechanical joint.
The UK market preference would be to mechanically joint horizontally.



Before screwing the vertical frame profile to the horizontal, seal with silicone as shown in the illustration. If viewing horizontally please exclude this step.

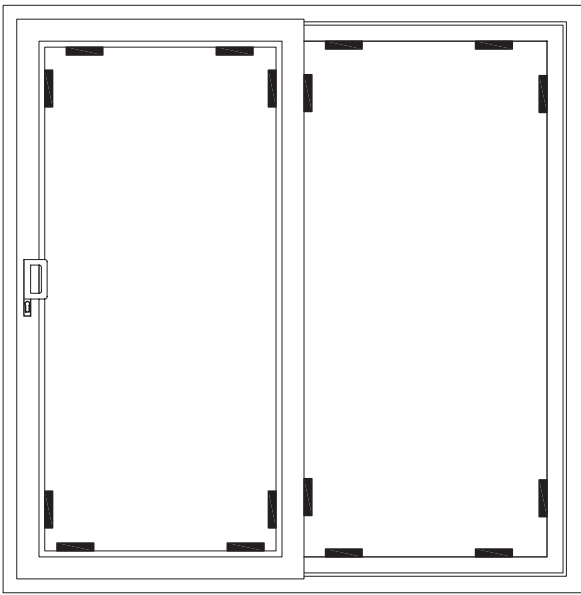


Connect horizontal and vertical frame profiles to each other. The "locator pins" help to place the frames in the correct position.

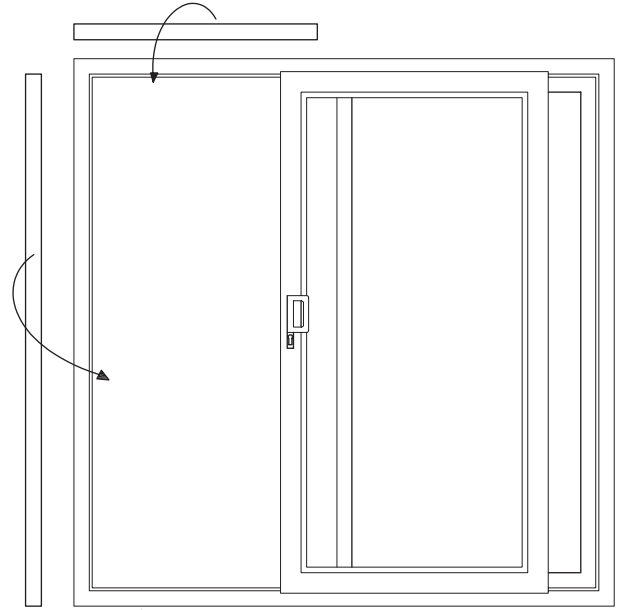


Screw the frame profiles together and then tighten the loose screw connection of the vertical frame profile.

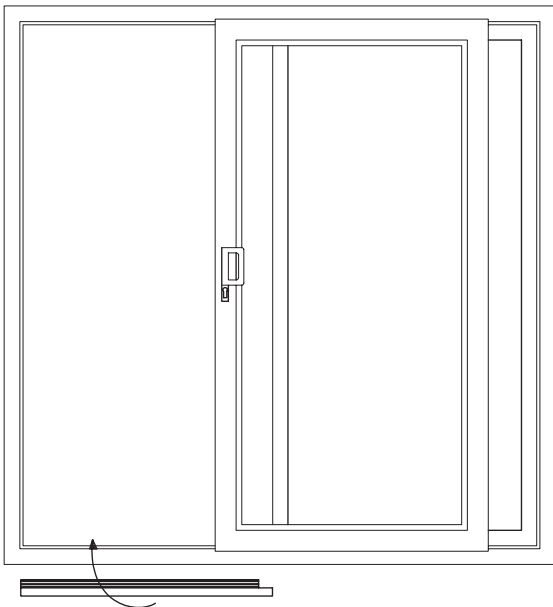
1.4 Glazing and finishing



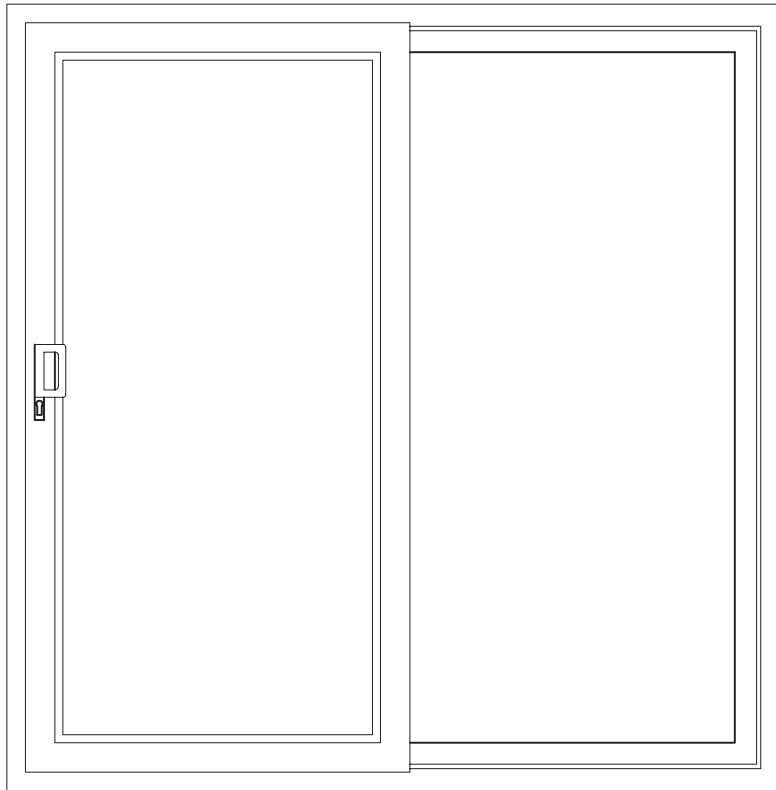
6. Glaze the doors, starting with the outside sash. Pack the glass accordingly. The bottom bridge packers should be placed above the position of the rollers. This is approximately 150mm from the corners.



7. Re-insert the cover profiles into the sliding sash side starting with the horizontals first



8. Finish by replacing the aluminium tread plate. Re-fit the handles and bump stops if required.



1.5 Troubleshooting

Glazing

If using triple glazing, beading may be slightly more difficult than using standard double glazing, especially at maximum glazing width of 32mm. Ensure that all sash corners are free from any hard spots. Position the bead flat against the glass and feed the bead foot into the groove at each end. A smaller mallet will help as the landing area to hit the bead is smaller than standard beads. Work alternatively from corners to finish in the middle.

Interlocks

If the interlocks are clashing ensure that there is no twist in the frame, especially in the middle of the head. Toughened glazing units have a tendency to bow, causing a slight deformation of the sash so it might be necessary to de-glaze and check. Ensure that the glass is packed securely.

This document is protected by copyright. All rights based on this are reserved. No part of this publication may be translated, reproduced or transmitted in any form or by any similar means, electronic or mechanical, photocopying, recording or otherwise, or stored in a data retrieval system. Subject to technical alterations.

© REHAU Ltd
Hill Court, Walford,
Ross-on-Wye, HR9 5QN

753660UK

08.2023