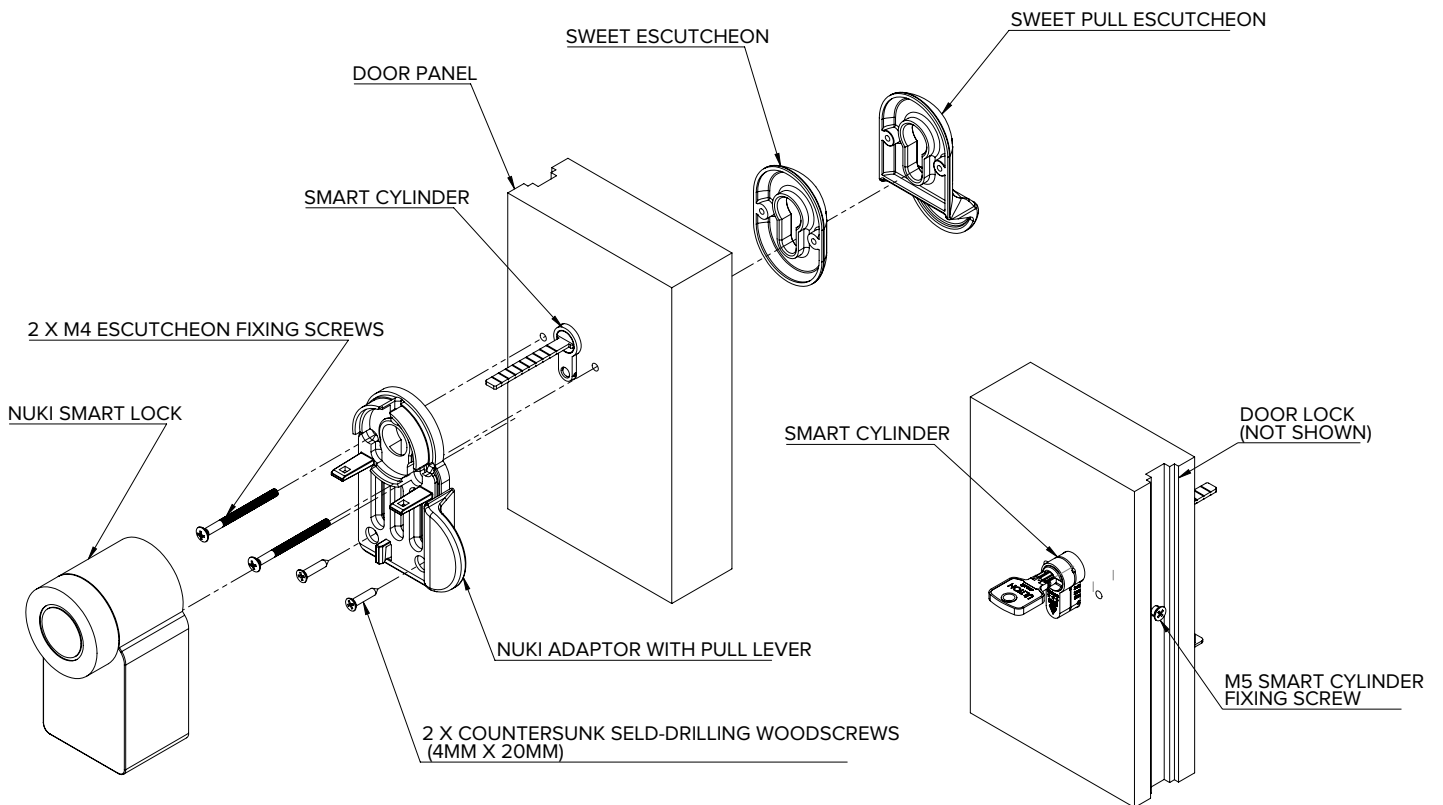


NUKI Smart Lock - Bolted-through Escutcheon



more overleaf../

For further assistance, call 01702 613733

www.climatec-windows.co.uk

11-14 Fletchers Square, Temple Farm Industrial Estate, Southend-on-Sea, Essex SS2 5RN

Fitting Instruction for NUKI Smart lock with Adaptor - Steps

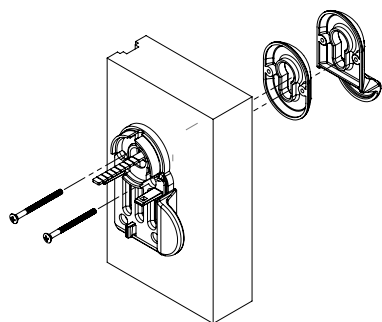


Figure 1

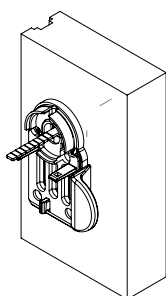


Figure 2

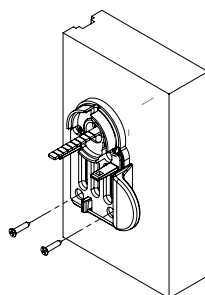


Figure 3

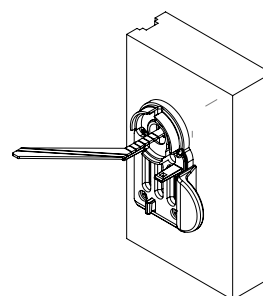


Figure 4

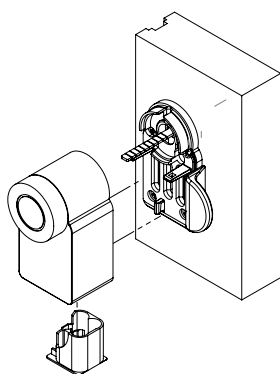


Figure 5

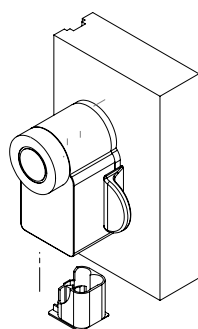


Figure 6

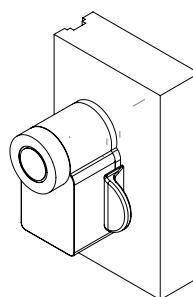


Figure 7

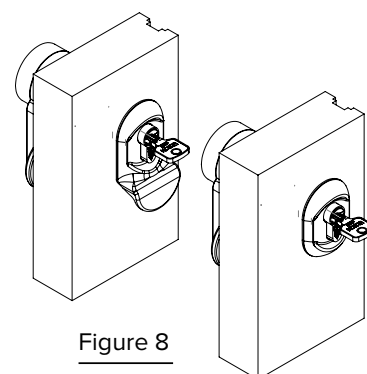


Figure 8

1. Place/locate the adaptor onto the smart cylinder and then fix with 2 x M4 fixing screws to Brisant pull/standard escutcheon in Figure 1.
2. Pull/standard escutcheon are now fully fitted with the adaptor in Figure 2.
3. Fix with 2 x countersunk self-drilling screws (4mm x 20mm) at the bottom fixing holes provided in Figure 3. (optional step as there is no reversing once these 2 screws are fitted).
4. Adaptor is now firmly fixed in Figure 4. Note: Extra screw fixings can be added if required through slot holes provided. (Optional).
5. Place/locate the NUKI smart lock onto the adaptor and then firmly lock them together without looseness in Figure 5. (Battery removed).
6. Lock the battery compartment into the NUKI main body in Figure 6.
7. NUKI smart lock is now firmly fitted to the door in Figure 7.
8. The full assembly of pull escutcheon and the NUKI smart lock in Figure 8.

Note: To be used for bolted-through escutcheon specification.

For further assistance, call 01702 613733

www.climatec-windows.co.uk

11-14 Fletchers Square, Temple Farm Industrial Estate, Southend-on-Sea, Essex SS2 5RN