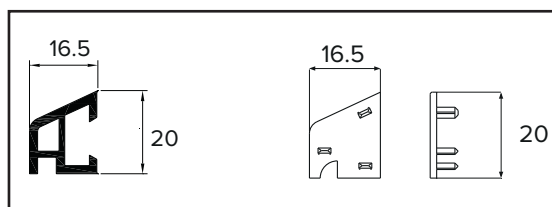


## DOOR DRIP BARS

### UPVC RESIDENTIAL OPEN IN DOORS & TILT & TURNS



- ❖ For REHAU and Calibre
- ❖ Available in all foil options
- ❖ Held on with nipple screws
- ❖ Typical industry design



### UPVC ENGINEERED DOORS

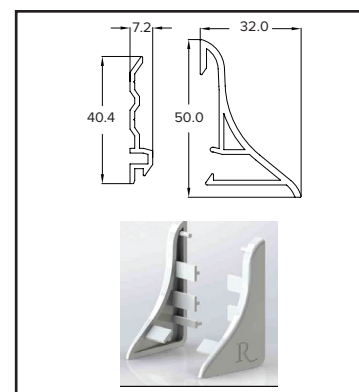
#### - OPEN IN PERIOD DOORS & RESIDENCE OPEN IN DOORS



- ❖ For REHAU and Residence engineered doors & period doors
- ❖ Colours Available:  
**REHAU:** white, whitegrain, clotted cream, schwarzbraun, anthracite grey (grained), anthracite grey (smooth), slate grey (grained), elephant grey, pearl grey, irish oak, turner oak, pebble grey (grained), chartwell green, sage, racing green, ruby red and steel blue

**RESIDENCE:** chalk white, grained white, vintage cream, clotted cream, clay, painswick, corse lawn, sage, pebble grey, no. 38 grey, eclectic grey, irish oak, english oak, turner oak, silvered oak, no. 10 black.

- ❖ Held on with aluminium backplate
- ❖ Authentic timber door design



For further assistance, call 01702 613733

[www.climatec-windows.co.uk](http://www.climatec-windows.co.uk)

11-14 Fletchers Square, Temple Farm Industrial Estate, Southend-on-Sea, Essex SS2 5RN